



SURE MEAL / SURE FIRE

CAMP STOVE GUIDE

MANUFACTURED BY

GOLDBERG BROS

DENVER, CO

Introduction to the Guide

The following is a compilation of information gained from many sources including the Coleman Collectors Forum (CCF), Classic Camp Stoves Forum (CCS) and various individual collectors. The purpose of this guide is to assist in identification, dating, and to further study the variations in the Sure Meal and Sure Fire camp stoves manufactured by the Goldberg Bros of Denver Colorado by providing visual references to what has been documented to date.

Goldberg stoves are a challenge to identify and date, especially for new collectors. A number of Goldberg stoves were rebranded for many local Colorado tent and awning companies and other sporting goods companies, so the manufacturer's name is often absent from the stove.

The scarcity of examples and written documentation make the dating of the various variations difficult, but also challenging and interesting.

By no means should the information in this guide be interpreted as final or resolute. Any information which contradicts the guide would be welcomed as constructive feedback which would only serve to increase the collecting community's knowledge. Post any additional information or revisions to the Goldberg Bros Camp Stoves Facebook Group.

Hopefully, this visual guide will arm you with the information to apply a date range and variation type to a Goldberg stove or assist you in restoring one to near period correct condition.

The Goldberg Bros Camp Stoves Facebook Group has been formed to learn more about these stoves and many of the members have allowed me to use their pictures for this guide, which I am truly thankful. Special thanks to Doug Decker for his pictures and information. If you run across a Goldberg made stove or already own one, please join the group and post pics to improve the community's knowledge.

Keep'em burning,

Jeff Cantrell (JCColeman-3)

The Goldberg Brothers

“The Goldberg Brothers story began in 1897 when Russian immigrants Simon Goldberg and his sons, Louis and Nathan, opened a tinsmith shop in Denver, Colorado. Joined later by siblings William and Jacob, the family business grew into Goldberg Brothers’ Wholesale Hardware and Tinnery Supply, one of the largest sheet metal and hardware manufacturers and wholesale distributors in the western United States. (Goldberg Brother Website - <https://goldbergbrothers.com/about/>)”

“Goldberg Brothers has been known for such diverse products as camping stoves, fishing reels, motion picture film reels and other specialty hardware for the movie theater industry. The company has about 20 full- and part-time employees. Currently, its primary product line is steel barn door hardware for interior sliding doors.”

(<https://yourhub.denverpost.com/blog/2018/02/goldberg-brothers-inc-completes-move-to-new-headquarters-in-jefferson-county-colorado/207928/>, Rick Reid)



Goldberg Bros Shop (Library of Congress)

Casts worms, salmon eggs, spinners, minnows, plugs, flies and grasshoppers... All on Your Present Fly Rod

New Stainless Steel
Magic FISHING REEL

THE ONE REEL FOR ALL YOUR FISHING \$16.45 AT YOUR DEALERS

The ONLY reel that does everything!
Easy to use. Get long accurate casts—reach holes the other fellow can't touch! Fast retrieve and handy finger-tip brake make it easy to hook and play fighting fish all the way into your net. The only reel that's perfect for every kind of fishing with your fly rod.

Cannot Backlash—Stationary spool cast. Multiplying, rotating retrieve. Smooth, trouble-free action. Instant response. No thumbing. Quick stopping. Interchangeable spools. Uses single filament nylon line. (Capacity, 160 yds. of 6-lb.)

Completely Enclosed... Streamlined—Strong, durable, guaranteed. Deep-bronze, no glare stainless steel. Precision engineered, patented. Compact. Bronze gears. Chromium plated hinge. Oilless bearings. Heavy plastic box fits your tackle kit.

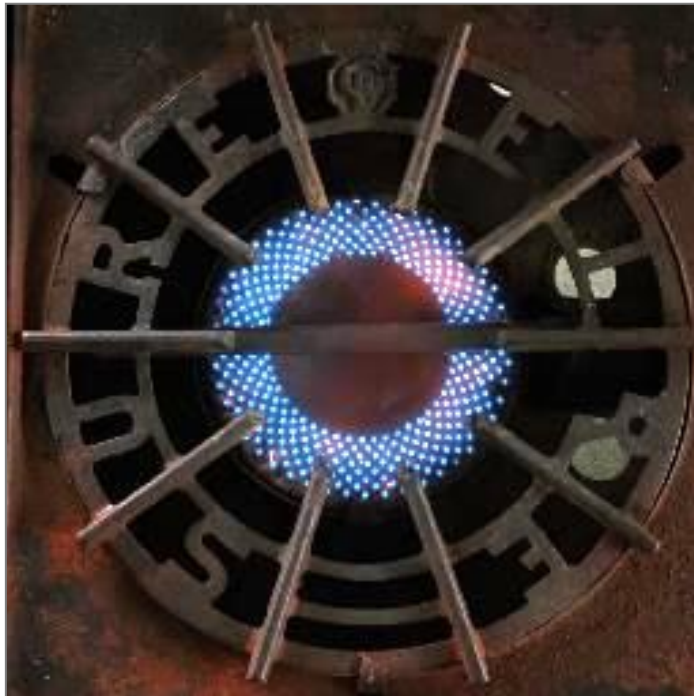
See the new Magic Reel at your favorite sporting goods store, or write for free folder
MAGIC FISHING REEL CO., 1740 Wazee - Denver, Colo.

Casting Position
Retrieving Position
For Fly Casting

Goldberg Bros Magic Fishing Reel (Field & Stream Ad)

Table of Contents

<i>Sections</i>	<i>Page</i>
Goldberg Collapsible Wood Stoves	5
Gasoline Camp Stoves	9
Stands, Tables, Ovens	34
Advertisements and Literature	39
Gasoline Stove Patent Drawings	57

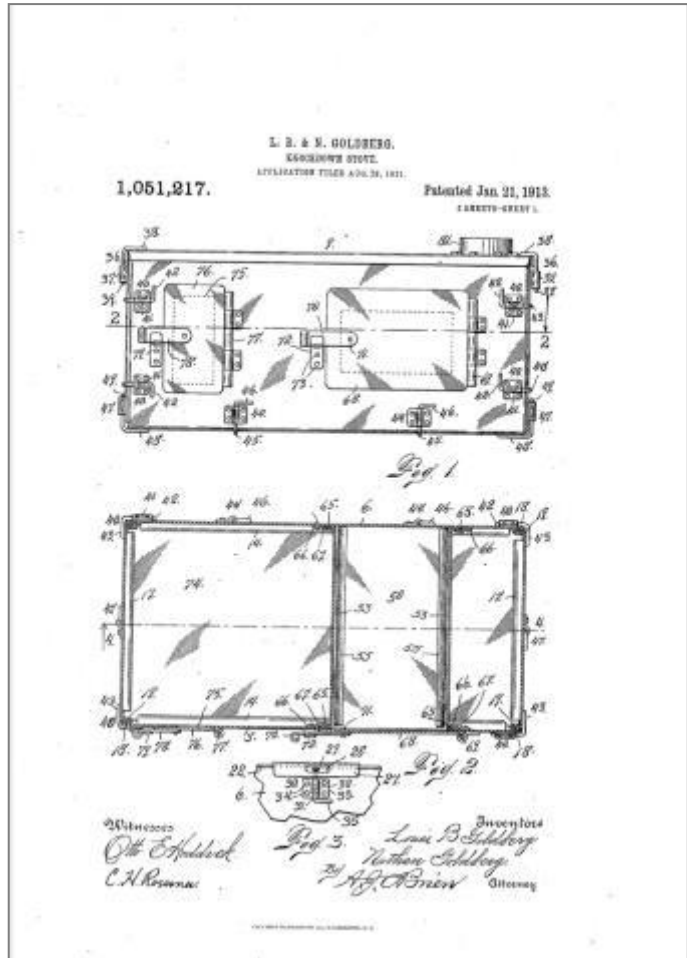
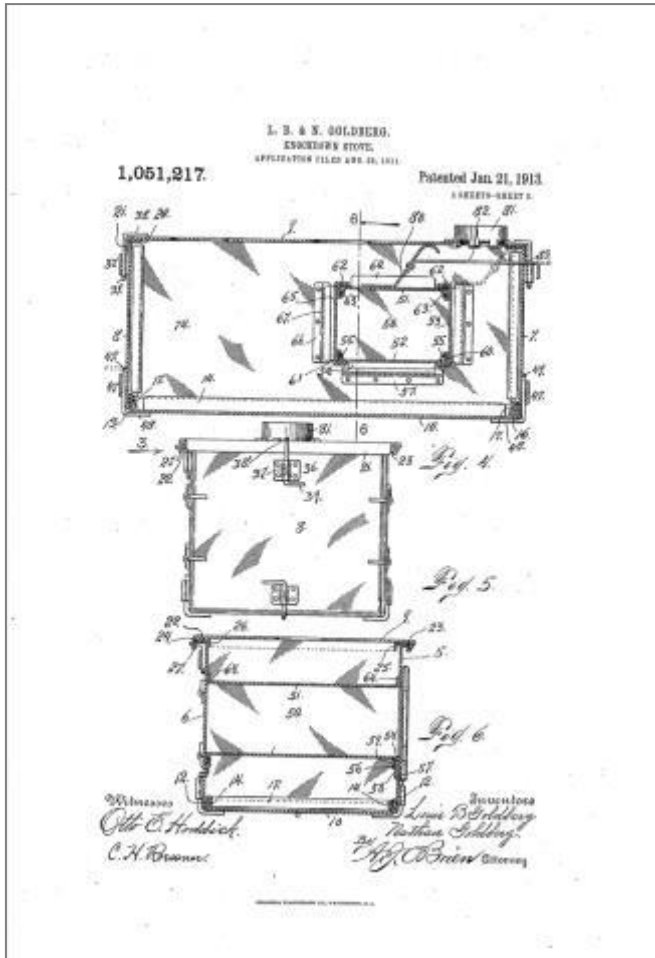




COLLAPSIBLE WOOD STOVES

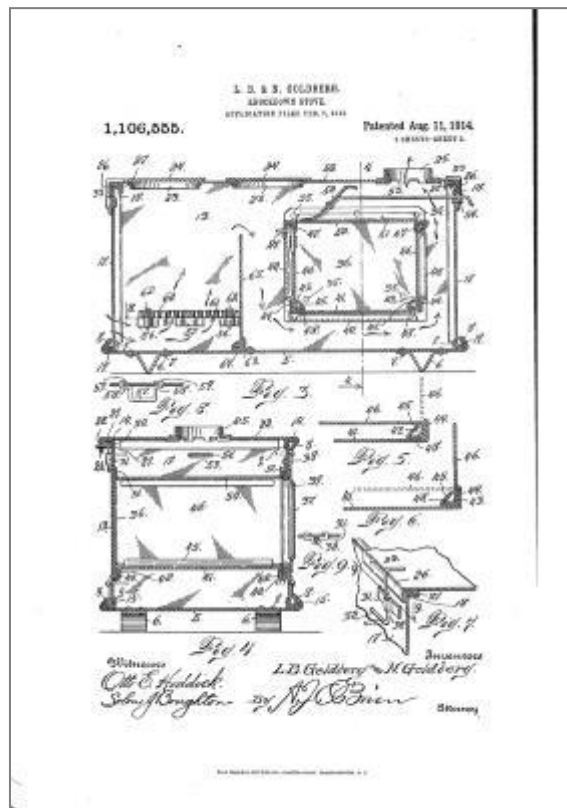
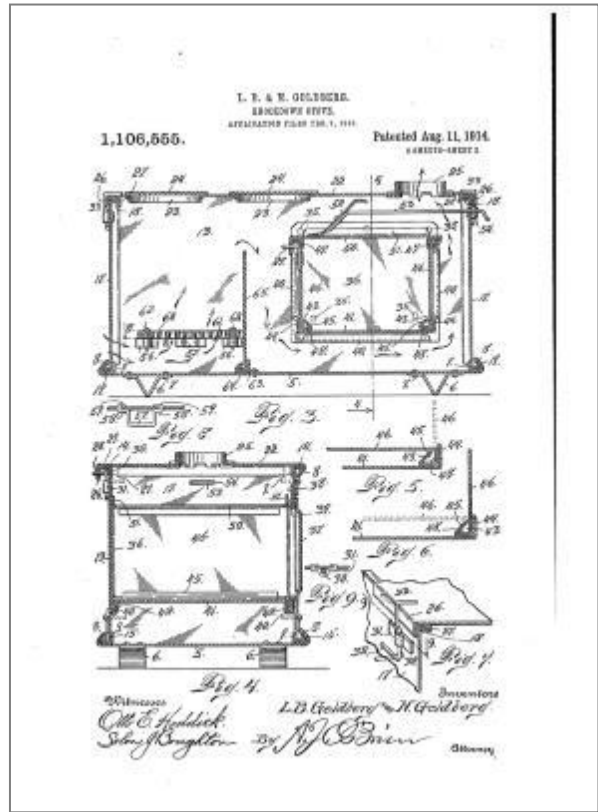
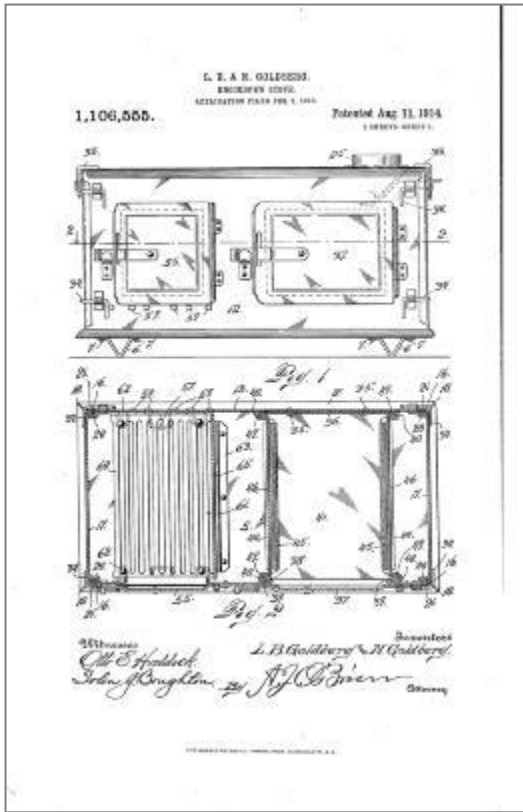
Goldberg Collapsible Wood Stoves

Knock Down Stove Patent 1,051,217 filed 1911 and granted 1913



Goldberg Collapsible Wood Stoves

Knock Down Stove Patent 1,106,555 filed 1913 and granted 1914



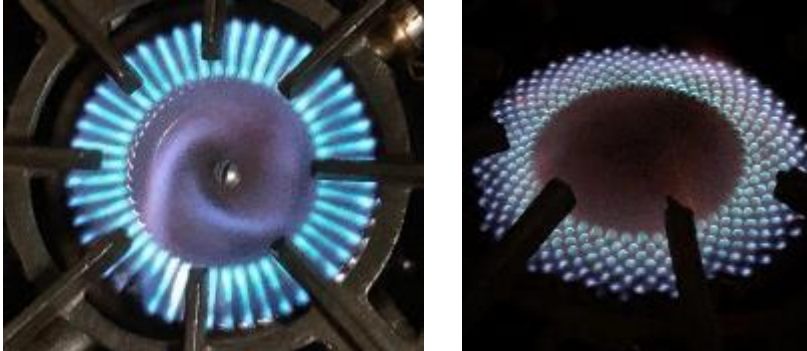


**GASOLINE
CAMP STOVES**

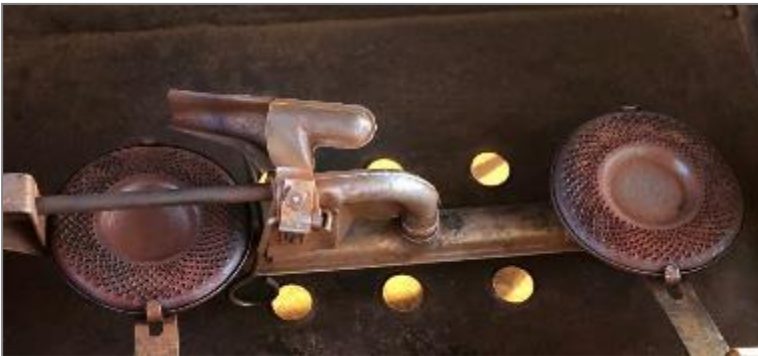
Goldberg Bros. Stove Unique Characteristics

Since the primary business of Goldberg Bros. was metalwork, tinning, and hardware manufacturing, their stoves had many unique sheet metal components that would have been made of cast iron for other stoves of the period.

UNIQUE PERFORATED SHEET METAL BURNER DESIGNS



SHEET METAL FABRICATED BURNER MANIFOLDS



“U-BEND” LEG DESIGN (post ~1924 models)



Rebranding of Goldberg Gasoline Stoves

The Denver area appears to have been a hot bed of tent and awning companies in the early 1920's. Sure Meal/Sure Fire stoves were rebranded for several local tent and awning manufacturers in the Denver area. One example was found of a rebranded stove for a sporting goods company in San Francisco, CA.

Below is a list of these companies and the rebranding name (*there are likely more that have not yet been identified*):

The Colorado Sure Meal Stove – The Colorado Tent & Awning Co., Denver, CO

Red Seal Sure Meal Stove - The Schaefer Tent & Awning Co, Denver, CO

Red Seal Sure Fire Stove - The Schaefer Tent & Awning Co, Denver, CO

The STACO Sure Fire Stove - The Schaefer Tent & Awning Co, Denver, CO

The WIZARD Sure Fire Stove - F.J. Burch Mfg. Co., Pueblo, Colorado

Diamond D Sure Meal Camp Stove – Denver Tent & Awning Co., Denver, CO

The SPIRO CO. - The Spiro Sporting Goods Company, San Francisco, CA

Approximate Dates of Known Stove Models

The following estimated dates are based on newspaper and magazine articles. No official manufacturer's information has been found to back up these estimates.

Aprox Mfg. Date	Model Description	Model Description
1921-1923	Sure Meal (Variation #1) (Colorado)	5 vent holes in burner deck, double tank protector starting in 1923
1923-1924	Sure Meal (Variation #2) (Red Seal)	Double tank protector that attaches to rear of case, 10 vent holes in burner deck, air damper
1923-1925	Sure Meal (Variation #3)	Auxillary burner control in front right corner triangular shaped relief, 5 vent holes in burner deck
1924 -26	Sure Fire (Wizard/STACO / Red Seal)	"Sure Fire" cast grates and right side generator protector, perforated burners, some variations in burner clips (metal tab vs wire tab), Auxillary burner control in front right corner of case
1924-1926	Sure Fire #1	Embossed No 1 on front panel of case, rotating tank, radial slit burners, wire grate with hanging heat shield (Possibly Simplex Model?)
1924-1926	Sure Fire #2	Embossed No 2 on front panel of case, rotating tank, radial slit burners, wire grate with hanging heat shield (Possibly Simplex Model?)
1926	Sure Fire (Red Seal No. 6)	Generator protector on left, rotating tank, intregal pump, cast iron grates mounted on plate, aux burner control in front right corner
Post 1924 -1929	Sure Fire NO-0 & NO-27 (SPIRO)	Generator protector on left, with heavy cast and perforated burners and wire grate with radial slit burners
1927?-30?	Sure Fire NO-29	Mentioned on a Tapatalk forum (mentions tank is permanently attached inside case). Possible example in Colorado Tent & Awning advert for G-B Camp Stove on page 54 of this guide)

Goldberg Gasoline Stove Timeline

1921 – (October) Patent 1,517,355 applied for, featuring characteristics of the Sure Meal stove (Variation #1).

1922 – (January) Patent 1,517,356 applied for, featuring Radial slit burner cap design and rotary valve aux burner control used on Sure Meal stoves (Variations #1 & #2).

1922 – (June) Patent 1,487,737 was applied for, featuring Sure Meal stove (Variation #2) with 10-hole burner deck, rod actuated air damper, radial slit burner caps, rotary valve aux burner control, Double Tank Protector, and folding oven.

1922 – (September) Patent 1,518,650 applied for, featuring a “Folding Grate and Stove Stand”

1923 – (September) Patent 1,517,357 applied for, featuring “Double Tank Protector” and folding handwheel auxiliary burner control.

1923 – Colorado Sure Meal (variation #1) stove and Folding Oven mentioned in book, “Motor Camping”

1923 – Sure Meal (Variation #2) stove is advertised by Goldberg Bros in Outdoor Life (April -July). Shows “Double Tank Protector” and Sure Meal Camp Table.

1923 – Sure Meal (Variation #2) stove is featured in an Outdoor Life (May) article. Shows “Double Tank Protector” and Sure Meal Camp Table.

1924 – (February) Patent 1,518,651 was applied for, featuring a generator protector with hinged lid on right side of case, similar to a Sure Fire Wizard/STACO stove’s protector.

1924 – (April) Patent 1,517,358 was applied for, featuring a locking generator protector on the right side of the case, similar to a Sure Fire Wizard/STACO stove’s protector. First patent showing U bend in legs.

1924 – (May) Patent 1,552,479 was applied for, featuring a “Combined Table and Camp Stove Support”.

1924 – Diamond D Sure Meal (variation #2) stove with new “Double Tank Protector” to be mounted outside the stove and Sure Meal Oven is advertised by Denver Tent & Awning Co.

1924 – Transformation from cast iron burner manifold to sheet metal, perforated burner caps, and U bend legs.

1924 – Wizard Sure Fire stove is mentioned in a F.J. Burch advertisement (thru July of 1925).

1924 – Sure Fire name appears for the first time in a Goldberg advertisement. The Sure Meal (Variation #2) stove is shown in illustration and described in an advertisement . Ad by Goldberg Bros in Outdoor Life (June -July). Ad shows “Double Tank Protector” and features the Sure Meal Camp Table.

Goldberg Gasoline Stove Timeline Cont....

1925 – (August) Patent 1,611,904 was applied for, featuring a stove similar to a Red Seal No. 6 and Sure Fire “1” & “2”. Features swivel joint tank attachment, first patent with perforated burner caps, the U bend in stove legs, integral pump in tank, priming valve on side of tank

1925 – The Sure Fire Wizard/STACO Type Sure Fire stove is advertised in Outdoor Life (March - July). Features the Sure Fire Folding Stove Stand and Lists the “Simplex” stove as another model.

1925 – The Sure Fire Wizard/STACO stove is featured in an Outdoor Life (June) article. Shows Sure Fire Folding Stove Stand

1926 – (May) Patent 1,620,095 was applied for, featuring a stove similar to the NO-0 and NO-27 (shorter tank). Features sliding mechanism for preheat, sled mounted tank that hangs over front panel, perforated burner caps, and an auxiliary burner control is rod attached to sled/tank out the front of stove (never seen an actual example of this)

1926 – (February) Red Seal No. 6 Sure Fire Camp Stove is advertised in a Schaefer Tent & Awning Co. catalog. The Sure Fire Folding Stove Stand and Sure Fire Oven are also featured in this catalog.

1927 – (March) Patent 1,656,480 was applied for, featuring a stove with no known physical example. Features an aux burner control like is seen on NO-0 and NO-27 stoves, perforated burners, swivel joint generator valve stem, tank is mounted on a swivel joint at generator and opposite side of manifold, appears tank is swiveled front running position to store upside down in case for storage.

1927 – (March) Patent 1,701,880 was applied for, featuring a stove with no known physical example, however it has features that match the description of a NO-29 mentioned on a stove repair forum. Features include perforated burner caps, NO-0/NO-27 aux burner control, and a tank permanently mounted inside the case.

1927 – (July) Patent 1,701,879 was applied for, featuring a stove with no known physical example. Features include radial slit burner caps, a large tank, burner manifold is mounted on an articulating mechanism allowing it to slide over for tank storage inside the case, aux burner is a looped wire from right side.

1928 – (March) Patent 1,714,264 was applied for, featuring a stove with no known physical example. Features include perforated burner caps, a NO-0/NO-27 aux burner control, and the manifold swivels onto its side allowing the tank to be stored between the front panel of case and the burner manifold.

Goldberg Sure Meal Variation #1

Model: Sure Meal

Approximate Date of Manufacture: Late 1921- 23

Color: Black

Burner Design: Radial Slit

Lid Closure: One Latch in Middle of Stove

Leg Design: Triangular Folding to Sides of Case

Tank Mount: Bayonet Hanging Style, Side Left

Tank: Galvanized/Tinned (“Double Tank Protector” After 1923)

Tank Labeling: Embossed “Place this side up”

Fuel Delivery: Single valve, Red Valve Wheel

Preheat: Oblong Preheat Cup In Manifold Casting Left of Main Burner

Grate Design: Cast Iron Mounted to the Manifold and Stove Case With Long Fasteners

Burner Deck Plate Design: Hinged (Galvanized/Tinned) Deck Plate With 5 Relief Holes Towards the Front of the Case

Burner Manifold Design: Cast Iron with Air Flow Baffle

Aux Burner Assembly: Red Handwheel Mounted to Telescoping Cylinders on Right Side Through a Round Relief in Case.

Lid Design: Hinged with 2 Hinged Lid Supports, Small Relief on Left Front Side of Lid

Wind Shield Design: Detachable Trifold (Galvanized/Tinned)

Other Notes:

- All known examples so far have had “Patent Applied For” on the badge. The assumption is that these were made after Patent 1,517,355 was filed in October 1921
- Stoves of this variation have been found with a “Double Tank Protector” which was a sleeve to protect the tank and, in some variations, attached to the outside of the stove for storage. The protector was advertised as a new feature in 1923.
- The cast burner manifolds on this variation have a dimple for the fastener that would hold an air damper mechanism, but none have been found with it in place and the cases they do not have reliefs cut in the front panel of the stove for the air damper operating wire.

Known Examples of Sure Meal Variation #1:

- Sure Meal, Goldberg Bros, Denver, CO (May 29, 2020, CCF forum post by “gpaguy” John) (May 8, 2020, Coleman Lantern, Stove Collectors. Parts, Service, Fix, Repair Forum Facebook Group post by Craig Stevenson) (Goldberg Bros Camp Stoves Facebook Group post by Michael Dyer)
- The Colorado, Sure Meal Stove, The Colorado Tent & Awning Co. Denver Colo (Goldberg Bros Camp Stoves Facebook Group post by Patrick Sammons)
- The Red Seal, Sure Meal Stove, The Schaefer Tent & Awning Co. Denver Colo (Nov 26, 2021, CCF forum post by “Trout” Mike),

Goldberg Sure Meal Variation #1 Example:



Goldberg Sure Meal Variation #2

Model: Sure Meal

Approximate Date of Manufacture: 1923 – 1924

Color: Black

Burner Design: Radial Slit

Lid Closure: One Latch in Middle of Stove

Leg Design: Triangular Folding to Sides of Case

Tank Mount: Bayonet Hanging Style, Side Left

Tank: Galvanized/Tinned

Tank Labeling: Embossed “Place This Side Up”, some Found with Instruction Sticker

Fuel Delivery: Single Valve, Red or Black Valve Wheel

Preheat: Oblong Preheat Cup In Manifold Casting Left of Main Burner

Grate Design: Cast Iron Mounted to the Burner Manifold by Short Fasteners & Clamps

Burner Deck Plate Design: Hinged (Galvanized/Tinned) Deck Plate With Five 1.50” Relief Holes Towards the Front of the Case and Five 1.50” Relief Holes Towards the Back of the Case

Burner Manifold Design: Cast Iron with Air Damping Mechanism

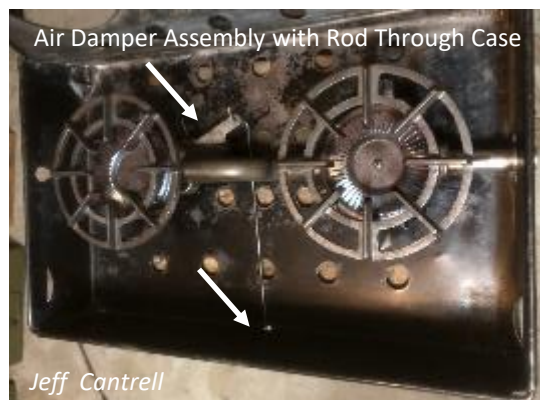
Aux Burner Assembly: Red Handwheel Mounted to Telescoping Cylinders on Right Side Through a Round Relief in Case.

Lid Design: Hinged with 2 Hinged Lid Supports at Top, Relief Hole on Left Front Side of Lid

Wind Shield Design: Detachable Trifold (Galvanized/Tinned)

Other Notes:

- Differences from Variation #1 to Variation #2.



Known Examples of Sure Meal Variation #2:

- Sure Meal, Goldberg Bros, Denver, CO (*Goldberg Bros Camp Stoves Facebook Group post by Keith Meyers*) (*Antique & Vintage Coleman Lantern & Stove Collectors Facebook Group post by Bill Burdine*)
- The Red Seal, Sure Meal Stove, The Schaefer Tent & Awning Co. Denver Colo (*Stovies Anonymous post by Jeff Cox*) (*Jeff Cantrell*) (*Doug Decker*)
- The Colorado, Sure Meal Stove, The Colorado Tent & Awning Co. Denver Colo (*Doug Decker*)

Goldberg Sure Meal Variation #2 Examples:



Goldberg Sure Meal Variation #2 Examples:



Doug Decker



Doug Decker



Doug Decker



Doug Decker



Doug Decker



Doug Decker

Goldberg Sure Meal Variation #3

Model: Sure Meal

Approximate Date of Manufacture: 1924

Color: Black

Burner Design: Radial Slit

Lid Closure: One Latch in Middle of Stove

Leg Design: Triangular Folding to Sides of Case

Tank Mount: Bayonet Hanging Style, Side Left

Tank: Galvanized/Tinned

Tank Labeling: Embossed "Place This Side Up", some Found with Instruction Sticker

Fuel Delivery: Single Valve, Red or Black Valve Wheel

Preheat: Oblong Preheat Cup In Manifold Casting Left of Main Burner

Grate Design: Cast Iron Mounted to the Burner Manifold by Short Fasteners & Clamps

Burner Deck Plate Design: Hinged (Galvanized/Tinned) Deck Plate With Five 1.50"

Relief Holes Towards the Back of the Case

Burner Manifold Design: Cast Iron

Aux Burner Assembly: Red Hinged Handwheel Which Folds Out Through Triangular Relief at the Front Right-Hand Side of Case In Line With Aux Burner.

Lid Design: Hinged with 2 Hinged Lid Supports at Top, Relief Hole on Right Back Side of Lid

Wind Shield Design: Detachable Trifold (Galvanized/Tinned)

Other Notes:

- The auxiliary burner mechanism is what makes this a variation from variation #2. It is possible this is just the Red Seal branded stoves that have this feature?

Known Examples of Sure Meal Variation #3:

- The Red Seal, Sure Meal Stove, The Schaefer Tent & Awning Co. Denver Colo
(Old School Only & Odd GPA post by Cj Somma)

Goldberg Sure Meal Variation #3 Example:



Goldberg Sure Fire (Wizard / STACO / Red Seal)

Model: Sure Fire

Approximate Date of Manufacture: 1924 – 1926

Color: Black

Burner Design: Perforated Angled holes

Lid Closure: One Latch on Patent Applied For Stoves, Two Latches on Patented Stoves

Leg Design: Triangular Folding With U Bend (Generator Protector Mounted on Right Leg That Locks Onto Case For Transport)

Tank Mount: Bayonet Hanging Style, Side Left

Tank: Steel, (Galvanized/Tinned) Top Fill With Conventional Fuel/Air Filler Plug

Tank Labeling: Embossed “Place this side up”

Fuel Delivery: Single valve, Red or Black Fiber Valve Wheel (Mostly Red)

Preheat: Add fuel to Top of Main Burner Manually with Tank/Generator

Grate Design: Cast Round Burners with “Sure Fire” Cast Into Pattern

Burner Deck Plate Design: Two Burners with 5 (1.5”) Relief Holes Behind Grates and One In Relief In Front of Grates in Center.

Burner Manifold Design: Stamped Sheet Metal. Some Burner Caps Secured With Wire to Manifold, Some have Tabs.

Aux Burner Assembly: Hinged Handwheel Which Folds Out Through Triangular Relief at the Front Right-Hand Side of Case In Line With Aux Burner.

Lid Design: Hinged with Two Lid Support Wires For Support When Opened

Wind Shield Design: Painted Detachable Trifold with Adjustable Wires at Ends for Wing Adjustment

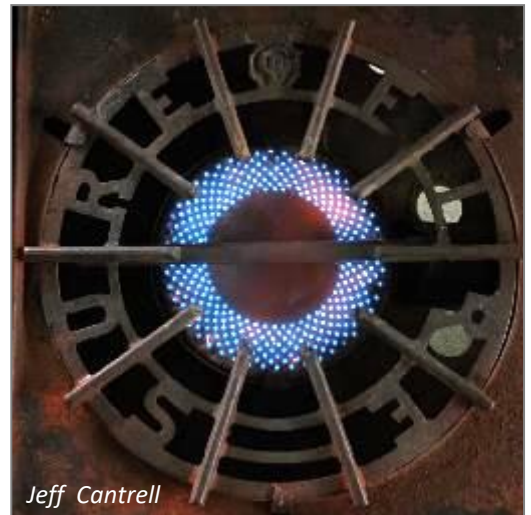
Other Notes:

- Stove Case Has Four Triangular Punched Reliefs in the Front Panel Which Are Evenly Spaced Across the Top of Panel. Case Has a Tool/Funnel Compartment Inside the Case, at the Back Left Side Corner.

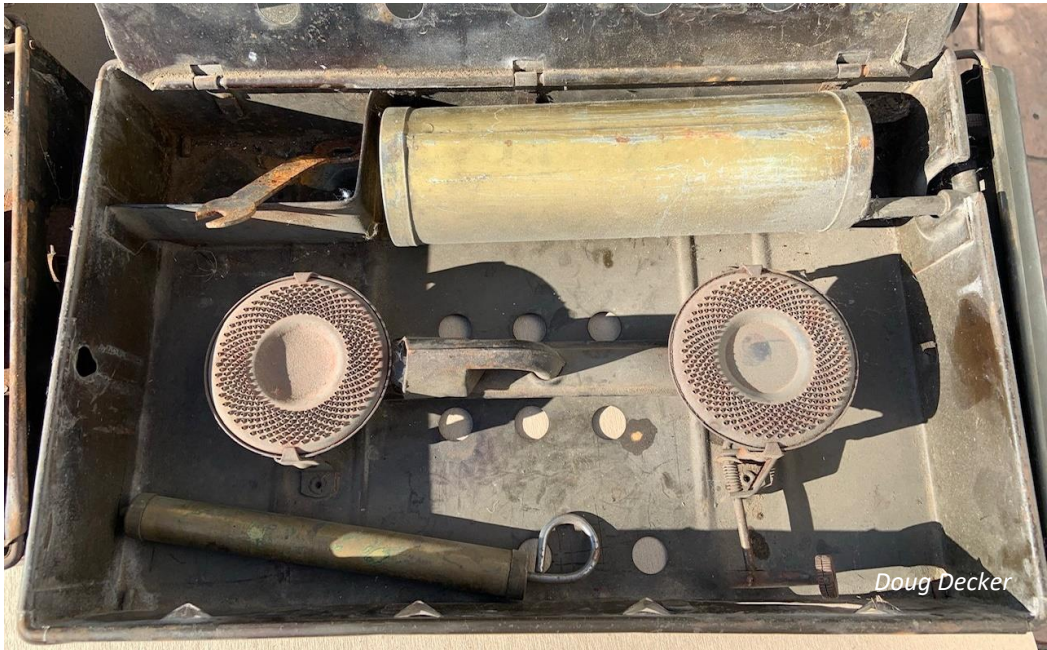
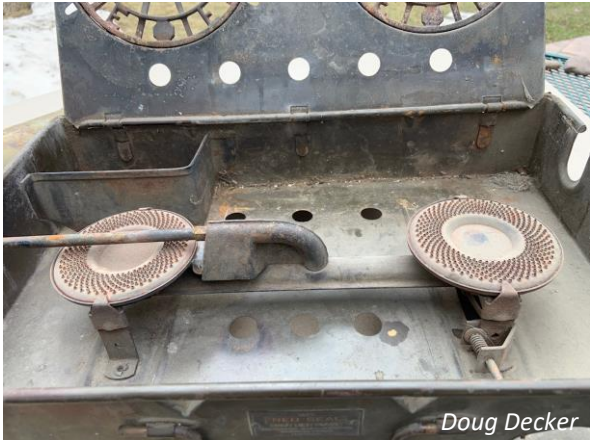
Known Examples of Goldberg Sure Fire (Wizard / STACO / Red Seal):

- Wizard, F.J Burch, Pueblo, CO (*Classic Camp Stove post by Jan Dyke*) (*CCF post by 'WYSIWYG'*)
- STACO Sure Fire Stove, The Schaefer Tent & Awning Co., Denver, CO (*Classic Camp Stove post by "cottage hill bill" Reese*), (*Jeff Cantrell*)
- The Red Seal, Sure Fire Stove, The Schaefer Tent & Awning Co. Denver Colo, (*Doug Decker*)

Goldberg Sure Fire / Wizard / STACO / Red Seal Examples:



Goldberg Sure Fire / Wizard / STACO / Red Seal Examples:



Goldberg Sure Fire “1” & “2”

Model: Sure Fire “1” & “2” (Could also possibly referred to as the Simplex?)

Approximate Date of Manufacture: 1924 to 1926

Color: Brown and Olive Drab

Burner Design: Radial Slit and Perforated Angled Holes

Lid Closure: Folding Legs Provide Lid Closure/Locking

Leg Design: Triangular Folding With U Bend (Generator Protector Mounted on Left)

Tank Mount: Left Side of Stove on Two Tabs, Rotates From Inside the Stove Case to Outside and Perpendicular To Stove Case

Tank: Bottom Fill With Winged Fuel/Air Filler

Tank Labeling: None

Fuel Delivery: Single valve, red or black fiber valve wheel

Preheat: Small ¼ Turn Valve on Generator Fills Top of Main Burner Through Tubing

Grate Design: Wire Grate with Heat Shield Attached on Left Side

Burner Deck Plate Design: No Deck Plate, Grate only

Burner Manifold Design: Stamped Sheet Metal

Aux Burner Assembly: Hinged Heavy Wire Lever Operated From Right Side of Case Through a Horizontal Slotted Relief

Lid Design: Hinged, Some Models Have a Square Inset in Lid

Wind Shield Design: Hinged, Attached to Lid. Single Wire Attached for Adjustment To Each Shield

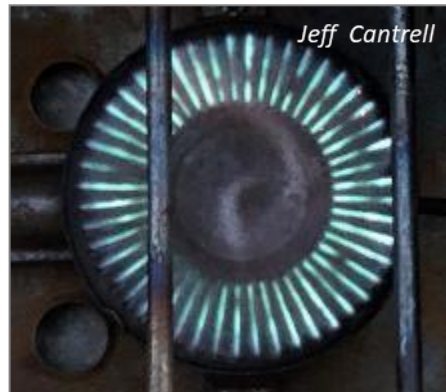
Other Notes:

- Some Model “2” stoves have a larger tank. It appears to be later models that are painted olive drab.

Known Examples of Goldberg Sure Fire “1” & “2”:

- Sure Fire “1”, Goldberg Bros, Denver, CO (*Goldberg Bros Camp Stoves Facebook Group post by Cris Dan Horkan*) (*Jeff Cantrell*)
- Sure Fire “2”, Goldberg Bros, Denver, CO (*Goldberg Bros Camp Stoves Facebook Group post by Bryan E. Abbott*), (*Classic Camp Stove post by “cottage hill bill” Reese*), (*Classic Camp Stove post by “z1ulike” Ben*)

Goldberg Sure Fire “1” & “2”: Examples:



Goldberg Sure Fire NO-0/NO-27

Model: Sure Fire NO-0 and NO-27

Approximate Date of Manufacture: 1924- 1929

Color: Olive Drab and Brown

Burner Design: Radial Slit and Perforated Angled Holes

Lid Closure: Folding Legs Provide Lid Closure/Locking

Leg Design: Triangular Folding to Top of Case (With and Without U Bend)

Tank Mount: Front Mounted (Offset to Left), Attached With Strapping to Burner Manifold, Generator is Piped to Left Side of Stove

Tank: Top Fill With Winged Fuel/Air Filler

Tank Labeling: None

Fuel Delivery: Single valve, red or black valve wheel

Preheat: Sliding Sheet Metal Cone To Deflect Fuel to Top of Main Burner Cap

Grate Design: Wire Grate OR Heavy Art Deco Cast Grate With Diamond in Center

Burner Deck Plate Design: No Deck Plate, Grate only

Burner Manifold Design: Stamped Sheet Metal

Aux Burner Assembly: Hinged Heavy Wire Lever Operated From Right Side of Case Through a Horizontal Slotted Relief

Lid Design: Hinged

Wind Shield Design: Hinged, Attached to Lid

Other Notes:

- Name plates patent info: (December 2, 1924 - 1517356) (December 2, 1924 - 1517357) (December 2, 1924 - 1517358) (December 9, 1924 - 1518651) Other Patents Pending

Known Examples of Sure Fire NO-0/NO-27:

- Sure Fire NO- 0, Goldberg Bros, Denver, CO (Nov.24, 2012 CCS forum post by "Iani")
- Sure Fire NO- 27, Goldberg Bros, Denver, CO (Stovies Anonymous Facebook Group post by Jan Dyke), (Stovies Anonymous Facebook Group post by William Klock), (Ebay post), (ICCC post by Heffa (Jeff), (Jeff Cantrell)
- The Red Seal, Sure Fire Stove, The Schaefer Tent & Awning Co. Denver Colo (Ebay Post)
- The SPIRO CO., The Spiro Sporting Goods Company, San Francisco, CA (Stovies Anonymous Facebook Group post by Alex Fabiszewski "Camp Stove")

Goldberg Sure Fire NO-0/NO-27 Examples:



Jeff Cantrell



Jeff Cantrell



A. Fabiszewski



Jeff Cantrell



A. Fabiszewski



Jeff Cantrell

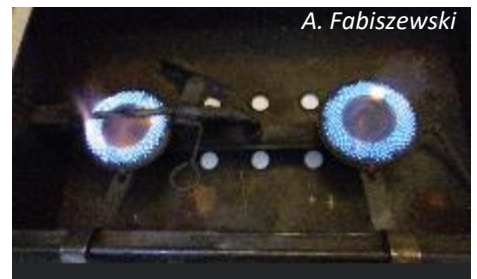
Diverter Position to Fill Preheat Cup



Diverter in Running Position

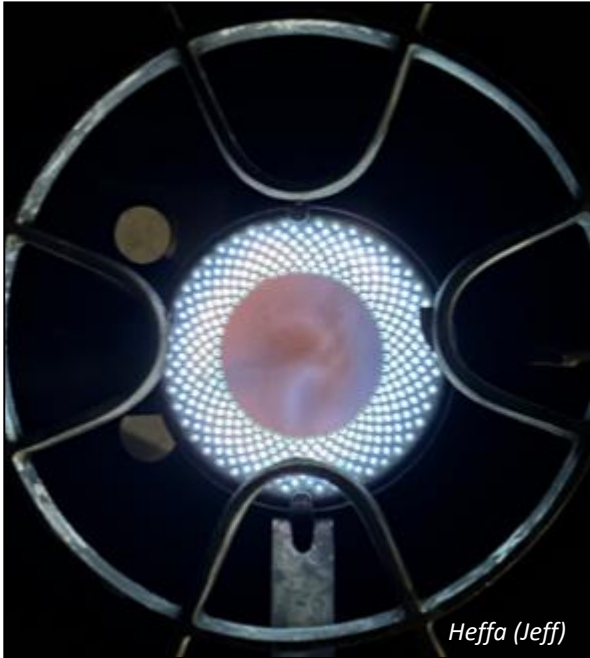


Jeff Cantrell



A. Fabiszewski

Goldberg Sure Fire NO-0/NO-27 Examples:



Goldberg Sure Fire “Red Seal No. 6”

I have never seen a picture or physical example of the Red Seal No. 6, however it appears in a 1926 Schaefer Tent & Awning Co catalog. From the illustrations in the catalog, it appears that the No. 6 was very similar to a Goldberg Sure Fire “1” & “2” but has features of the Sure Fire “Wizard”.

(Based on the Catalog Illustration)

Model: Sure Fire

Approximate Date of Manufacture: ~1926

Color: *Unknown*

Burner Design: Radial Slit

Lid Closure: *Unknown*

Leg Design: Triangular Folding With U Bend (Generator Protector Mounted on Left Leg)

Tank Mount: Left Side of Stove, Rotates From Inside the Stove Case to Outside and Perpendicular To Stove Case. Priming Valve and Tubing Mounted on Side of Tank.

Tank: Integral Pump on Bottom, Bottom Fill Through the Pump Opening

Tank Labeling: *Unknown*

Fuel Delivery: Single valve

Preheat: As Tank is Resting in Case, The Priming Valve and Tubing on Side of Tank is Used to Add Fuel to Top of the Main Burner Cap.

Grate Design: Cast Round Burner Grates

Burner Deck Plate Design: Two mounted Burner Grates with 5 Relief Holes Behind Grates and One In Relief In Front of Grates in Center.

Burner Manifold Design: *Unknown*

Aux Burner Assembly: Hinged Handwheel Which Folds Out Through Triangular Relief at the Front Right-Hand Side of Case In Line With Aux Burner.

Lid Design: Hinged with Two Lid Support Wires For Support When Opened

Wind Shield Design: Mentioned In the Catalog Description But Not Shown in Illustration.

Other Notes:

- The 1926 Schaefer Tent & Awning Co. catalog mentions the swivel joint and integral pump as a new features for 1926. It is not clear if this is “new” for the Red Seal line of stoves or “new” for the Goldberg line of stoves.

Goldberg Sure Fire "Red Seal No. 6"

Excerpts from the 1926 Schaefer Tent & Awning Co. catalog.


"Red Seal" No. 6
The Gasoline Camp Stove
For All Outdoor Cooking

"RED SEAL" SURE FIRE CAMP STOVE

The "Red Seal" Camp Stove generates in one-third the time required by most gasoline stoves. It is quick and simple in operation. Its burners are very easily regulated. Boils water in 2 to 5 minutes, according to amount desired, and furnishes adequate heat for safe roasting tent. It will even accommodate a small wash boiler for camp washing or boiling.

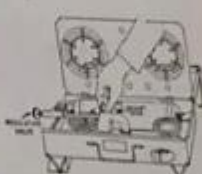
The improved construction of this year's model has several new features, having gasoline can connected with generator provided with safety joint. Pump now inside of gasoline can. Priming valve attached to can over burner when can inside of case, also having an extra shut-off, making it safe from any leakage. Generator protected by strong steel case, locked into position. A complete stove is now in one unit, so there are no detached parts liable to loss or misplacement.

The top of the stove is covered except for the grids. The extra cover folds in the front, forming a shelf. A windshield guards the flame from steady blows or sudden gusts and is adjustable to shut out wind from any direction so stove's position need not be changed.



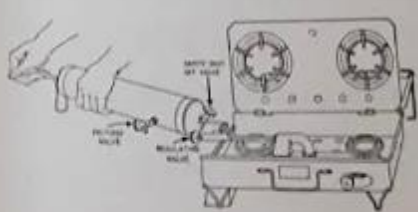
(Fig. 1)

TO FILL THE TANK—Close safety and regulating valves tight. Unscrew pump with your fingers out, as shown in Fig. 1. Fill can about three-quarters full. Screw pump in tight with your fingers. You need no wrench.




(Fig. 2)

Fuel can inside casing for priming, as shown in Fig. 2. Open the priming valve and fill cup in the center of burner plate full of fuel and shut off priming valve tight.



(Fig. 3)

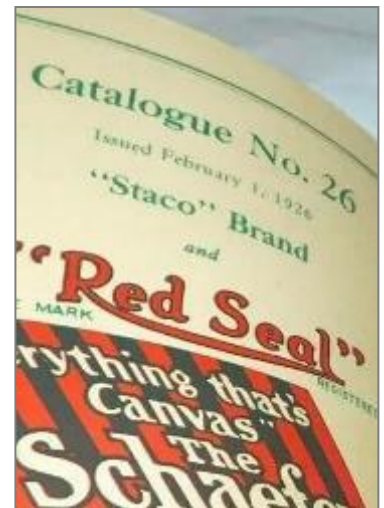
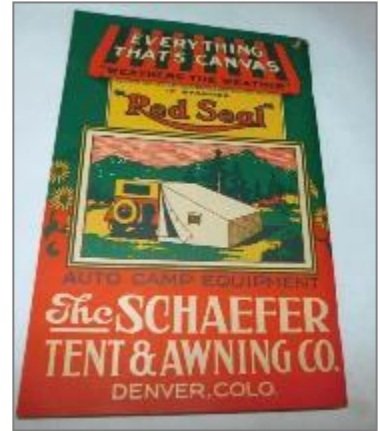
Pump up fifteen to twenty strokes with the pump plunger, as shown in Fig. 3.



(Fig. 4)

Light and open safety valve at the end of can to supply the fuel and regulate flame with the generator valve, indicated by screw, Fig. 4.

No. 6—Red Seal Stove. List price, each \$5.50




PRACTICAL CAMP OVEN No. 99 PLACED ON A "RED SEAL" OR "STACO" CAMP STOVE

The cooking oven is specially designed for camp cooking. It will hold from 10 to 20 lbs. of food, and is made of a special heavy galvanized iron. The oven can be used to cook a lot. See open illustration below. **Practical Camp Ovens** by Schaefer Tent & Awning Co.



Goldberg Sure Fire NO-29

I have never seen a picture or a physical example of the Sure Fire NO-29, however it is mentioned in this stove forum post from 2012. The short description in this forum post closely matches the Gasoline Camp Stove patent #1,701,880 & #1,701,881 filed March/July of 1927 and granted February of 1929. Could be the G-B Camp Stove in the Colorado Tent & Awning ad on page 53.

Alan Blair February 29, 2012 at 1:20 pm



I recently purchased an old 2 burner campstove at a flea market. It has a name plate on it that says NO. 29, GOLDBERG BROS. DENVER, COLORADO. It is a liquid fuel stove about the size of a Coleman 2 burner. The tank is permanently fastened inside of the case. There is separate pump to pressurize the tank. There are 2 valves on the tank: one feeds fuel to the burner and the other puts fuel into a preheater pan under the first burner. It is in workable condition. The only reference to it that I can find is an article in a 1915 copy of the Amalgamated Sheet Metal Workers Journal which mentions the Golberg Bros. Sheet Metal Co. in Denver, CO, who made camp stoves. That company is still in business although they no longer make camp stoves. Can anyone tell me anything about this stove or direct me to someone who might.

Alan Blair

Alan Blair March 1, 2012 at 1:35 pm



I have an old 2 burner liquid fuel stove with a nameplate that says GOLBERG BROS., Denver, Colorado, No. 29. It has two fuel valves: one for the burners and one to put fuel onto a preheater plate. It has a detached pressure pump. Can anyone tell me any thing about it.

<http://www.moshannonfalls.com/classic-camp-stoves-an-online-resource-stove-collectors-repair/>

(See this ad on page 53)

G-B CAMP STOVE
WITH IMPROVED, VENTILATED, DETACHABLE TANK

A wonderful improvement in camp stove design has been made in the 1929 model G-B Camp Stove by placing the gasoline tank in a separate ventilated compartment within the stove case.

As shown in the illustration, the tank rests in its own compartment at the left and is separated from the burners by a double steel ventilating partition with air space between the two walls and the compartment is also ventilated through holes in the bottom. An extra steel hinged flap also drops down from the grid when the stove is lighted or burning to still further protect the tank from the heat of the flame.

These innovations insure a cool tank and protect it from all danger of fire. The tank may be easily removed for convenience in filling, cleaning and just as easily returned to its compartment, ready for use.

Just raise the lid and the stove is ready for use. No other stove is so easy to operate. The ease with which the G-B Camp Stove stands for carrying is a delight to every camper. Windshield folds up inside space. Lid turns down-over burners. Legs fold over to look case with everything inside.

The improved construction makes the G-B Camp Stove the outstanding camp stove, combining all desirable features. No matter what stove you have been handling heretofore, you need the G-B this year if you want the lightest, safest, most convenient stove having all the features which are recognized at once and valued accordingly by the camper.

It is therefore easy to sell and gives such satisfactory service that it is a real good-will builder for every dealer who stocks it.



1929 Model G-B Camp Stove showing how tank has been isolated from the burners for safety and convenience in carrying.



COLLAPSIBLE STAND FOR STOVE

This light but very substantial steel stand snugly fits the base of the stove (either model) and holds it rigid, without risk of tipping, 30 1/2 inches above ground. When closed stand folds down to 24x23 1/2-inch parcel. Weight, 4 lbs. List price, each.....\$2.50

Showing how gasoline tank may easily be taken out of its compartment for refilling.

Specifications and Prices

Outside dimensions when packed for carrying,
11 1/2 inch width by 20 1/2 inch length by 4 1/2 inch height.

G-B Camp Stove, weight 15 lbs. Each..... \$5.00
Own, weight 4 lbs. Each..... 4.00

Goldberg Sure Fire “Simplex” Stove

I have never seen a picture or physical example of the “Simplex” branded stove manufactured by Goldberg Bros. The “Simplex” model is listed in operating directions owned by Jan Dyke and is also listed in a 1925 ads appearing in Outdoor Life and some newspapers.

It is possible that the Simplex is the name given to the Sure Fire “1” & “2” stoves, however it could be a distinct model not yet documented.

Excerpt from
“Directions for
Operating Sure Fire
and Simplex Stoves”
(courtesy of Jan Dyke)



Outdoor Life June 1925



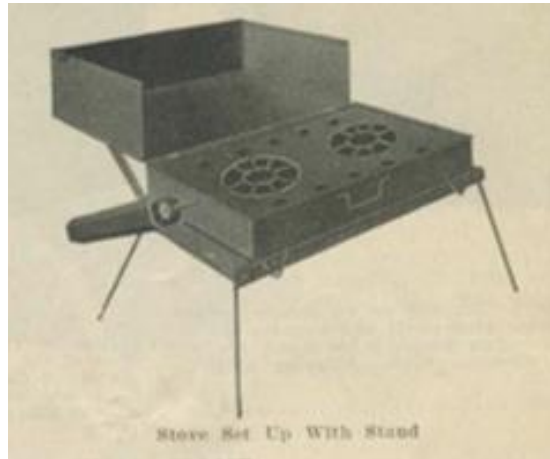
PRICES	
Stove	\$8.75
Stand	\$2.25
Simplex stove (very similar), only	\$6.50

Simplex Stoves advertised in 1925 ad in the Casper Star-Tribune.



**STANDS/TABLES
AND OVENS**

Goldberg Stove Stands and Tables



Excerpt from a 1924 Denver Tent & Awning Co. catalog that John “StanDahl” posted on the CCF forum



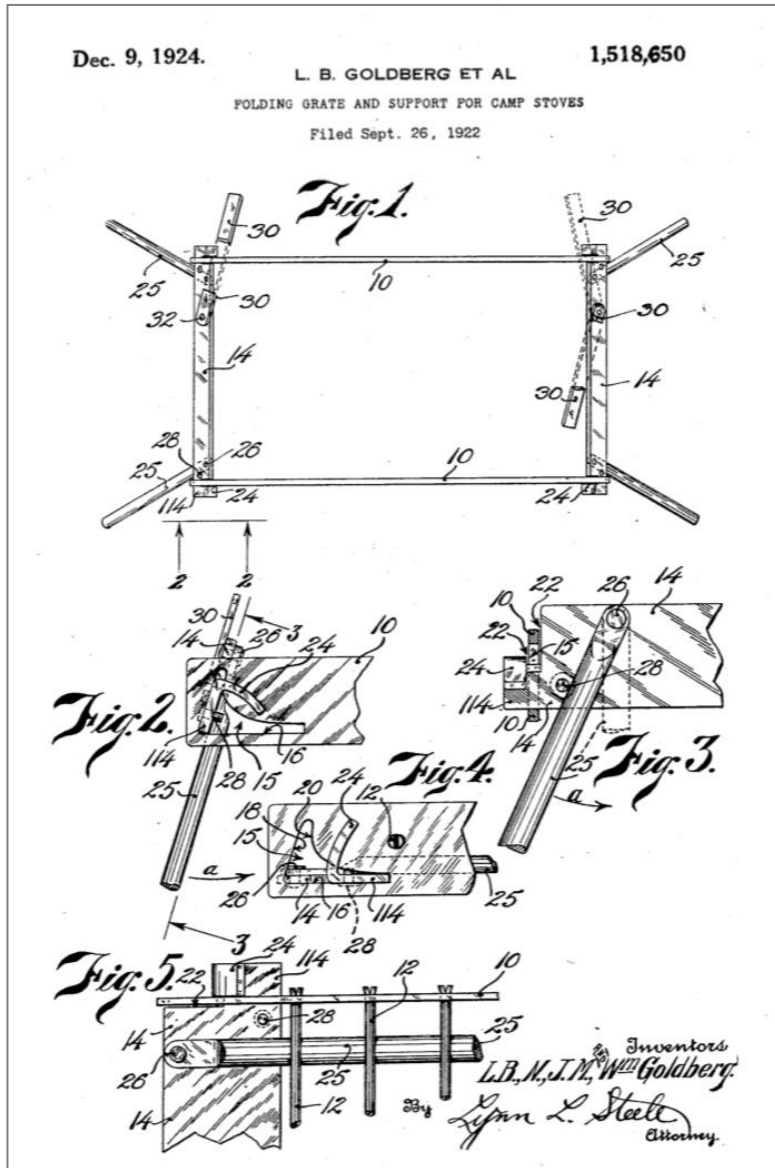
Excerpt from a 1926 Schaefer Tent & Awning Co. catalog.



Goldberg Stove Stand from Warren Wright’s collection

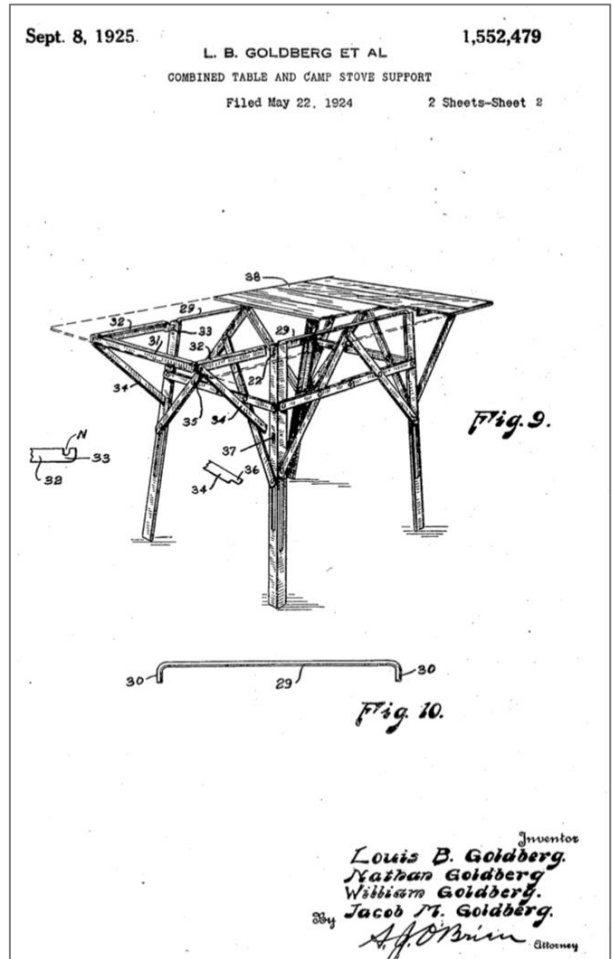
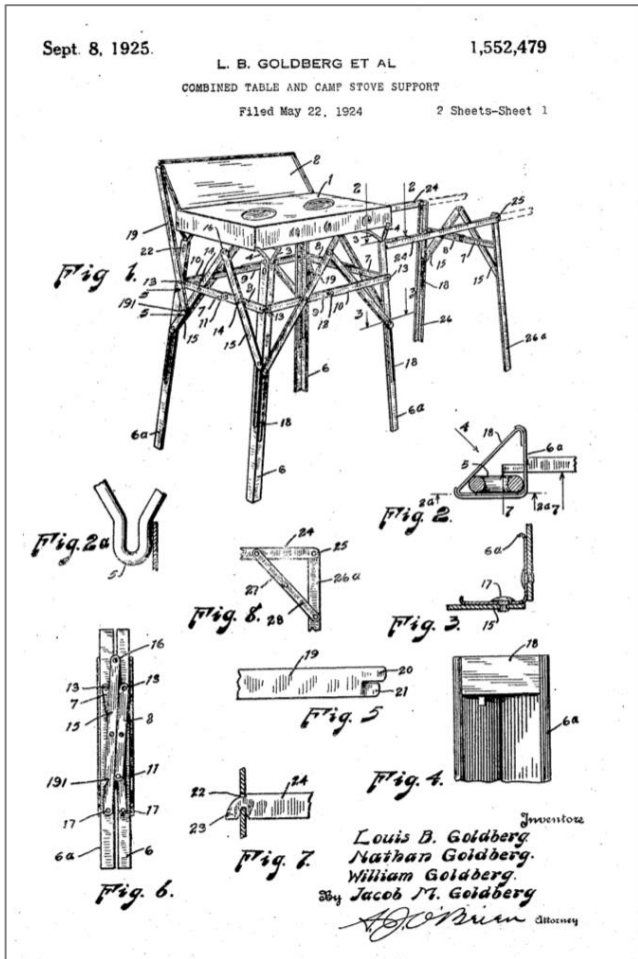
Goldberg Stove Stands and Tables Patent:

Folding Grate and Support for Camp Stoves Patent 1,518,650 filed September of 1922 and granted December of 1924



Goldberg Stove Stands and Tables Patent:

Combined Table and Camp Stove Support Patent 1,552,479 filed May of 1924 and granted September of 1925



Goldberg Ovens

Model:



Excerpt from a 1924 Denver Tent & Awning Co. catalog that John “StanDahl” posted on the CCF forum



Excerpt from a 1926 Schaefer Tent & Awning Co. catalog.



**ADVERTISEMENTS
AND LITERATURE**

Excerpt from an ad in May
1922 Modesto Morning Herald

CONVENIENCES For the Camper

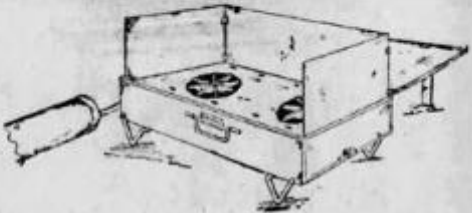
The common objections, faults and incomplete features of Gasoline stoves of early pattern HAVE BEEN OVERCOME IN THIS IMPROVED UTILITY

THE "SURE MEAL" CAMP STOVE

Come in and see one—try it for yourself—see its new features that makes it SIMPLE, COMPACT and ABSOLUTELY SAFE.



The "Sure Meal" Collapsible Camp Oven adds to camp comfort. Here shown on "Sure Meal" Stove.



Excerpt from an ad in April 1923 Lincoln Nebraska State Journal



The Sure Meal Stove

THIS is the ideal camp stove for all outdoor cooking. It is simple, practical, compact and absolutely safe. It burns ordinary gasoline and has a cup for generating in one-third the usual time with gasoline stoves. Water can be boiled in five minutes with this stove and the burners are very easily regulated. The top is covered except for the grids and the extra cover folds to the front, forming a shelf. There is also a windshield around the burners. The "Sure Meal" stove is so strongly built that it is almost impossible to break any part of it and it has met the most exacting tests under all kinds of camp conditions. As its name implies it is sure to serve a clean, well-cooked meal quicker and better than it can be done in any other way. Weight 15 lbs.

Excerpt from an ad in July 1923 Seattle Union Record

REGISTERED TRADE MARK

The "Sure Meal" CAMP STOVE

YOU WOULDN'T THINK IT WAS COLD AND RAINY OUTSIDE WOULD YOU?

GOSH, NO! THIS SURE MEAL STOVE CERTAINLY WARMED UP TH' OL' TENT!



0000

Excerpt from an ad in April 1925 Reno Gazette Journal



"Sure Meal" Camp Stoves, \$8.45

The "Sure Meal" is the neatest, safest, quickest and most convenient camp stove made. Fuel is always handy in the gas tank. No rustling wood or camp fires to put out. Its patented burners give a quick, intense cooking heat and they are wind proof. Folds into a small, compact case with carrying handle. Insist on getting a "Sure Meal" and you get the best.

Below is an excerpt from an ad in April 1923 Seattle Union Record

Sure Meal Stove



177 — The "Sure Meal" Gasoline Air Pressure Stove. Burners are so cast that an especially hot flame is created. Each stove comes equipped with folding galvanized wind-shield. Strong heavy wire legs, permanently attached to stove; fold tight to stove box when not in use. The frame of this stove all around is heavily reinforced with heavy wire. Gasoline tank tested in every stove for possible leaks, as are

the burner castings and burner dimensions. We recommend this as the best two burner stove on the market. Size folded 18x11x14 in. Weight 11 lbs. Each **\$9.00**



(Attempt to enhance illustration)

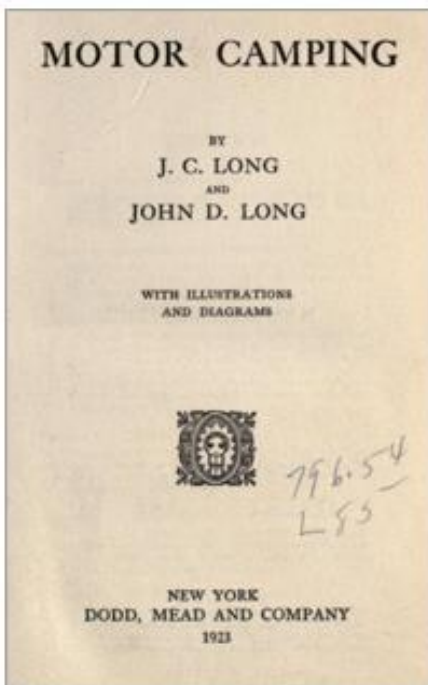
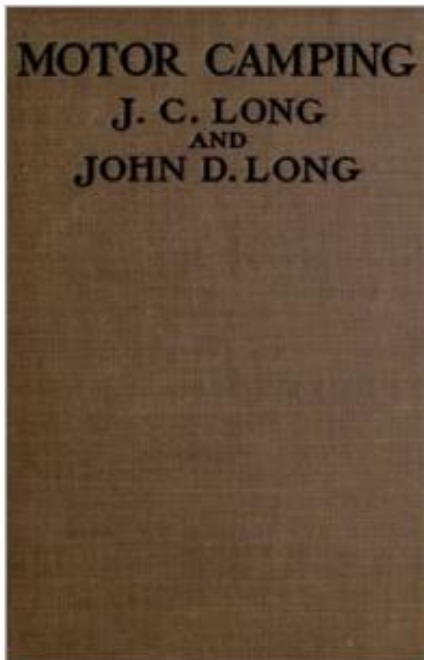
Excerpt from an ad in December
1926 Daily News (Los Angeles, CA)



Excerpt from an ad in June 1929 Los Angeles Times



Excerpt on the “Colorado Sure Meal Stove” and folding oven in Motor Camping written by J.C. Long and John D. Long which was published in 1923.



Gasoline Stoves

There are many kinds of gasoline stoves, but there is some danger attached to their use, as this fluid leaks out very readily and is, as all know, very volatile and inflammable. Of course, the great advantage lies in the fact that it is a material that the motorist is sure to have at hand, and a gasoline stove when working right certainly does the work in short order.

One of the best gasoline stoves is the Colorado Sure Meal Camp Stove. It burns with such a hot flame that the stove can be opened up and water boiled in five minutes. The burners can also be easily regulated and the fire controlled to a nicety. There are two burners solidly mounted in the grate, making this part of the stove practically one piece. There is nothing to get out of order. The stove has an adjustable wind-shield. The Sure Meal Stove has its burners enclosed in a heavy steel case, with grids at the top like an ordinary gas or gasoline stove. The top is covered except for these grids, preventing the flames from being blown out by the wind. The extra cover folds back to form a shelf or warming oven. The tank rests outside the stove

68 MOTOR CAMPING

and holds three pints of fuel. The legs may be folded up when not in use, thus taking up little or no room. For carrying, the tank is detached and placed inside the stove, the shelf folding over the top of the stove as a cover, with a sure catch to hold it in place. The stove then resembles a small suit case in shape and measures only 18 by 11 by 3½ inches. This stove may also be had with a folding oven which when in use is set over the stove. A feature of this oven is the metal and asbestos plate on the shelf. This plate is open on all sides to permit the heat to radiate evenly to all parts of the oven. The asbestos prevents food from burning on the bottom. The oven is collapsible and can be set up or taken down in less than a minute. The front and side are hinged—the top comes off and the shelf out. The oven packs in a galvanized iron box, only 1¾ inches deep, which comes with the oven. This stove is listed at \$9.00 and the oven at \$5.00.

Below is an excerpt from a 1924 Denver Tent & Awning Co catalog that John "StanDahl" posted on the CCF forum.

StanDahl

1647 Arapahoe Street, Denver, Colorado

17

The Diamond "D" Sure Meal Camp Stove



Stove Set Up Without Stand



Stove Set Up With Stand

DIAMOND "D" SURE MEAL CAMP STOVE

ALWAYS INSURES A QUICK, CLEAN MEAL WHILE CAMPING. HAS MANY NEW AND EXCLUSIVE DESIRABLE FEATURES.

The ideal camp stove for all outdoor cooking. It is simple, practical, compact and absolutely safe. It burns ordinary gasoline. Water can be boiled in five minutes with this stove. The top is covered except for the grids, and the extra cover folds to the front, forming a shelf. There is also a windshield around the burners. This windshield is adjustable, and can be placed around the shelf instead of the burners if desired. A new feature of this year's stove is the double safety protector for the tank. This protects the tank, which is carried outside the stove, from possible damage, and there is more room inside the stove, when folded up, for packing cooking utensils.

The "Sure Meal" stove has met the most exacting tests under all kinds of camp conditions. As its name implies, it is sure to serve a clean, well-cooked meal quicker and better than it can be done in any other way.

Price, Stove only, each \$7.90
 Sure Meal Stove Stand—It Folds Flat. Price each 1.50



PRACTICAL CAMP OVEN
(MOUNTED ON SURE MEAL STOVE)

SURE MEAL OVEN

This oven is especially designed for camp cooking, but can be used on any home gas, gasoline or oil stove. It will bake bread, cake or pastry, roast meat; and there is a special biscuit pan for this favorite article of camp fare. The oven can also be used to heat a tent.

A feature of the oven is the metal and asbestos plate on the shelf, which permits the heat to radiate evenly to all parts of the oven and prevents food from burning on the bottom. Dimensions of the oven are 16 1/2 inches long, 10 1/2 inches wide and 10 inches deep.

The oven is collapsible and is packed in a stout carton, 1 1/2 inches deep, that comes with the oven.

Price, Sure Meal Oven \$4.50

Outdoor Life magazine May 1923

The "SURE MEAL" Camp Stove

—Insures Quick, Clean Meals in Camp

Collapsible stand raises stove to convenient position, 18½ inches from ground



Packs compact in space 18x14x3½ inches

The safe, simple, practical Camp Stove for all Outings

This and other new, exclusive features make the "Sure Meal" the choice of experienced auto campers everywhere. Double safety protector for tank. Top covered except grids. Adjustable wind shield for stove and warming plate. Solves the fuel problem; burns ordinary gasoline, generates in one-third the usual time. Eliminates smoke, soot and odors about your camp. Boils water in 5 minutes. One of the "Sure Meal" line of dependable camp stoves, grids and ovens.

Manufactured by GOLDBERG BROTHERS
1644 LAWRENCE STREET DENVER, COLORADO

A Splendid Camp Stove

The ideal camp stove for all outdoor cooking must be simple, safe, practical and very compact. The type in general use is the



A quick camp cooker

gasoline pressure, and this stove has a cup for generating in one-third the usual time with gasoline stoves. Water can be boiled in five minutes, and the burners are very easily regulated. The top is covered except for the grids, and the extra cover folds to the front, forming a shelf. There is also a wind shield around the burners. A special protection against the fuel tank getting overheated and exploding, as has been the ex-



A practical camp oven

perience of some motor campers with certain stoves, is a double safety protector for the tank. Such stoves are necessary in desert travel, as wood is scarce and the women who camp like it because it does not soot up the pans. It is set up and fired so quickly that it is ideal for quick roadside lunches and yet has the fuel capacity and large enough burner to do any kind of prolonged cooking. With an oven it serves not only to bake in camp, but to heat the tent as well in moderately cold weather.

Field & Stream April, May, June, and July 1923

The "SURE MEAL" Camp Stove

—Insures Quick, Clean Meals in Camp



Collapsible stand raises stove
to convenient position,
18½ in. from ground.

This and other new, exclusive features make the "Sure Meal" the choice of experienced auto campers everywhere. Double safety protector for tank. Top covered except grids. Adjustable wind shield for stove and warming plate. Solves the fuel problem; burns ordinary gasoline, generates in one-third the usual time. Eliminates smoke, soot and odors about your camp. Boils water in 5 minutes. One of the "Sure Meal" line of dependable camp stoves, grids and ovens.

Packs compact in space
18x14x3½ inches

The safe, simple, practical Camp
Stove for all Outings

Manufactured by **GOLDBERG BROTHERS**
1648 LAWRENCE STREET, DENVER, COLORADO

Outdoor Life magazine June and July 1924



Insures Quick, Clean Meals in Camp. Eliminates Smoke, Soot, Odors and Fire Danger. Solves Fuel Problems. Burns Ordinary Gasoline, generating in one-third usual time, but Absolutely Safe. Boils Water in 5 Minutes. Burners Easily Regulated.

Light and compact. Packs into space 18x14x3½ inches. Weighs only 15 lbs. Mounted on collapsible stand, ready for instant use. Stand raises stove to convenient position 18½ inches from the ground.

"SURE  FIRE"
TRADE MARK
Camp Stove
(Formerly known as the "Sure Meal")

Many new and exclusive features, including double safety protector for tank. Adjustable windshield for stove and warming plate. Top covered except grids. Extra cover folds forward and forms shelf. Strongly built. Almost impossible to break stove or parts. Low priced and a big value for the money. One of the dependable "SURE FIRE" line of camp stoves, grids and ovens. Send for our literature.

Sold by the Leading Dealers Everywhere
Manufactured Solely by
GOLDBERG BROTHERS
1646 Lawrence St. Denver, Colorado



Goldberg Sure Fire “Wizard”: Examples:

Below is an F.J. Burch Mfg. Co. advertisement from an August 1924 Field & Stream magazine.



Tents for Any Size Party

FROM ROAD TO CAMP IN 5 MINUTES

Burch Tents Are Waterproof

It's Touring and Camping Time—Get a Burch Outfit!

Choice of Three Ready to Ship the Hour We Get Your Order

Burch Camp Outfits are designed to make all camp details easy—light and compact for carrying; easy to put up when you find the right spot; easy to take down when you're ready to go on to the next place.

The Burch Water-proofed Tents, the beds, all accessories take up little room—can be packed on the car in a jiffy.

These ready to start as soon as we receive order:

Outfit for \$80 Includes the 10x10 water and mildew-proof Nifty Umbrella Tent shown above, made of Burch Olive Drab Balloon Cloth. Also 1 Ideal Spring Bed, the bed with a real spring; 1 large comfortable Folding Chair; 1 G. M. Folding Chair with back; 1 roll-top Folding Table; 1 Burch Wizard Folding Gasoline Camp Stove; 1 Burch Folding Water Bucket; 1 Burch Sanitary Water Bag.

Outfit for \$48 This Burch Outfit of Nine Pieces, includes One Burch Special Auto Camping Tent with sewed-in Canvas Floor; 1 Burch Ideal Folding Steel Double Spring Bed; 2 Camp Chairs with backs; 1 Folding Gasoline Stove; 1 Folding Table; 1 Water Bag; 1 Wash Basin; 1 Dunnage Bag.

Outfit for \$38 A compact Outfit of Eight Pieces, which includes One 7x7 Burch Auto Tent, guaranteed waterproof; 2 Gold Medal Cots; 1 Two-Burner Gasoline Stove; 2 Camp Stools; 1 Two-Gallon Sanitary Water Bag; 1 Dunnage Bag.

Information Bureau—Our Free Information Bureau is at your service in helping you solve satisfactorily any of your camping problems. Write.

F. J. Burch Mfg. Co.
230 Burch Building Pueblo, Colorado



Burch Automobile Camping Tent

Every Burch Tent Shipped Day Order Is Received You Should Have our No. 60 Catalog. It's Mailed FREE



Two Burch A.C. Tents as used for larger Parties

The ad lists the “Burch Wizard Folding Gasoline Camp Stove” in their \$80 premium outfit package.

The lesser outfits list a “folding gasoline stove” and a “two burner gasoline stove” respectively, but do not give an indication of the types or brands.

The WIZARD stove was found to be listed in F.J. Burch Mfg. Co Field & Stream magazine ads from June 1924 through July of 1925.

Outdoor Life magazine in March, April, and July of 1925



When you go Camping or Touring enjoy quick, clean meals without smoke, soot, odors or fire danger by taking along this ideal Camp Stove. Absolutely dependable and safe. Many enthusiastic users because of its simple operation and compactness.

"SURE  FIRE"
TRADE MARK REG. U.S. PAT. OFF.
Camp Stove

Formerly known as the "SURE MEAL." Strongly built. Almost impossible to break stove or parts. Burns ordinary gasoline. Generates in one-third usual time. Boils water in 4 minutes. Burners easily regulated. Windshield and shelf adjustable to practically enclose burners for heating tent. With stand rests 30½ inches from ground.

Sold by the Leading Dealers
 Manufactured solely by
GOLDBERG BROTHERS
 1660 Lawrence St. Denver, Colorado

Packs into space only 19x11¼ inches. Windshield folds up and lays inside hinged steel case. Tank carried inside stove when not in use. Generator fully protected. Both firmly held in position. Legs of strong, tight-fitting steel stand close to 24x2½-in. parcel. Total weight, 15 lbs.

PRICES
 Stove \$8.75
 Stand \$2.25
 Simplex stove (very similar), only \$6.50



Outdoor Life magazine June 1925



CAMP LIFE

and Touring are made much more enjoyable by the quick, clean meals you can prepare on this ideal Camp Stove. Safe, dependable. No smoke, soot, odors or fire danger. Simple to operate. Very compact and light weight.

"SURE FIRE"

TRADE MARK REG. U.S. PAT. OFF.

Camp Stove

Formerly known as the "SURE MEAL." Burns ordinary gasoline, generating in one-third usual time. Boils water in 4 minutes. Easily regulated. With stand rests 30½ in. above ground. Windshield adjusts to enclose burners for heating tent. Strongly built. Almost impossible to break stove or parts. Order yours now.

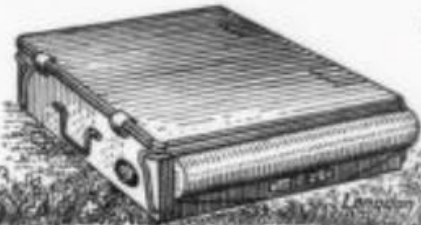
Sold by the Leading Dealers

Manufactured solely by
GOLDBERG BROTHERS
1660 Lawrence St. Denver, Colorado

Packs into space only 19x11¼ inches. Windshield folds up and lays inside hinged steel case. Tank carried inside stove when not in use. Generator fully protected. Both firmly held in position. Legs of strong, tight-fitting steel stand close to 24x2½-in. parcel. Total weight, 15 lbs.

PRICES

Stove \$9.75
Stand \$2.25
Simplex stove
(very similar),
only \$6.50



A Hot Flame Stove

Nothing is so essential to an enjoyable and healthful camping or motoring trip as a complete and reliable but conveniently carried and assembled stove for preparing outdoor meals and emergency heating.

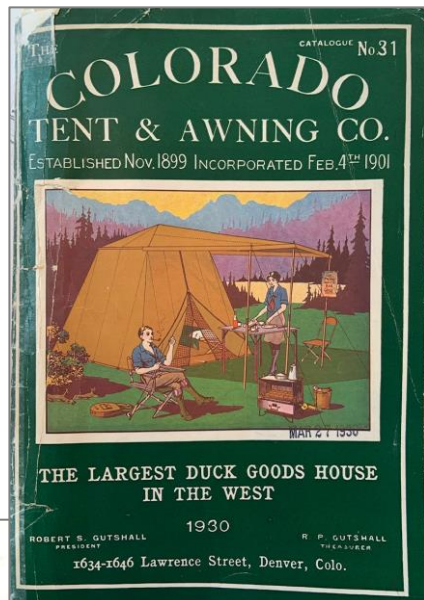
Safety is the first item in considering what camp stove to buy now that the gasoline pressure stove is in practically universal use among autocampers. The one here illustrated is simple, practical, compact and absolutely safe. It burns ordinary gasoline and has a cup for generating in one-third the usual time. The strong whirling flame



created by the novel construction of the manifold is practically impossible to be blown out by the wind and will boil water in five minutes or even less. The top is covered except for the grids and the extra cover folds to the front, forming a shelf. There is also a windshield that is adjustable and can be placed around the shelf instead of the burners if desired. It is unnecessary to turn the stove around, no matter which direction the wind blows. This stove solves the fuel problem, eliminates all danger of fire and the nuisance of smoke and soot. Motor tourists like this stove because it is so light and compact to carry and so simple to operate. The new, improved construction of this year's model permits carrying the tank inside the stove when not in use. The tank is firmly held in position. The generator is protected by a strong steel case, locked in position.

Colorado Tent & Awning Catalog from 1930 (from Doug Decker's Collection)

Possibly a Model NO-29?



G-B CAMP STOVE

WITH IMPROVED, VENTILATED, DETACHABLE TANK

A wonderful improvement in camp stove designing has been made in the 1930 model G-B Camp Stove by placing the gasoline tank in a separate ventilated compartment within the stove case.

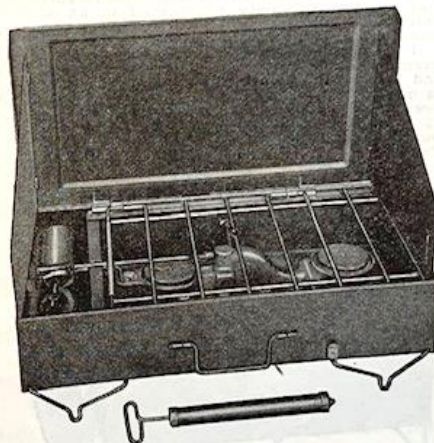
As shown in the illustration, the tank rests in its own compartment at the left and is separated from the burners by a double steel ventilating partition with air space between the two walls and the compartment is also ventilated through holes in the bottom. An extra steel hinged flap also drops down from the grid when the stove is lighted or burning to still further protect the tank from the heat of the flame.

These innovations insure a cool tank and protect it from all danger of fire. The tank may be easily removed for convenience in filling gasoline and just as easily returned to its compartment, ready for use.

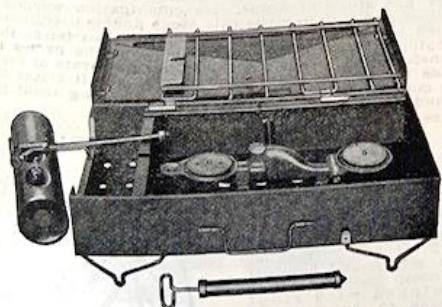
Just raise the lid and the stove is ready for use. No other stove is so easy to operate. The ease with which the G-B Camp Stove packs for carrying is a delight to every camper. Windshield folds up inside case. Lid turns down over burners. Legs fold over to lock case with everything inside.

The improved construction makes the G-B Camp Stove the outstanding camp stove, combining all desirable features. No matter what stove you have been handling heretofore, you need the G-B this year if you want the newest, safest, most convenient stove having all the features which are recognized at once and valued accordingly by the camper.

It is therefore easy to sell and gives such satisfactory service that it is a real good-will builder for every dealer who stocks it.



1930 Model G-B Camp Stove showing how tank has been isolated from the burners for safety and compactness in carrying



Showing how gasoline tank may easily be taken out of its compartment for re-filling.

Specifications and Prices

Outside dimensions when packed for carrying, 11¼ width by 20½ length by 4¾ inches.

G-B Camp Stove, weight 15 lbs. Each... \$8.00
Oven, weight 4 lbs. Each..... 4.00



COLLAPSIBLE STAND FOR STOVE

This light but very substantial steel stand snugly fits the base of the stove (either model) and holds it rigid, without risk of tipping, 30½ inches above ground. When closed stand folds down to 24x2½-inch parcel. Weight, 4 lbs.

List price, each..... \$2.50

Directions for Operating Sure Fire and Simplex Stoves (from Jan Dyke's collection)

CAUTION!

DIRECTIONS FOR OPERATING SURE FIRE AND SIMPLEX STOVES Formerly Sure Meal Stove TO FILL TANK

Close cut-off valve, remove filler plug with wrench and fill tank about $\frac{1}{2}$ full of gasoline. Replace plug and screw down securely. Attach pump to thumb screw on filler plug and loosen thumb screw turning to left to about two turns. Pump in 15 to 20 strokes. Then tighten thumb screw.



CAUTION—Never fill the tank while stove is lighted.

TO LIGHT STOVE




Fill cup in center of first burner with gasoline by placing end of generator in cup and opening valve. Place tank in position as shown in cut by passing generator through hole in end of case so that needle seat is inserted on shoulder in hole in manifold casting.

Be sure that lug in valve casting is inside case. Tank must turn in opposite direction from handle on case, or if stove is raised, may hang straight down. Gasoline will not feed with tank in any other position. Now light gasoline in burner cup and when nearly burned out, open valve and burner will ignite. To light second burner, pull valve handle out through opening in end of case, open valve and light burner. Regulate flame by opening or partly closing valve.

If flame is sluggish, apply more air. If this does not give results it may be due to some gumosity from the gasoline lodged in the gas orifice. This may be removed by opening and closing valve quickly several times while stove is burning. If necessary to clean generator and needle, loosen packing nut, take out needle and seat, remove coil in generator tube and scrape all parts clean, being careful not to bend or break needle or to enlarge opening in needle seat. Be sure all joints are tight when re-assembled.

Jan Dyke

REPAIR PARTS PRICE LIST == FOR == SURE FIRE GASOLINE CAMP STOVE (FORMERLY SURE MEAL STOVE)



1. Valve stem and cleaning needle.....	\$.50
2. Valve packing nut10
3. Generator casting30
4. Generator15
5. Generator needle nut10
Generator complete	1.00
6. Filler plug15
7. Air Valve10
Back valve handle20

Jan Dyke

Sources

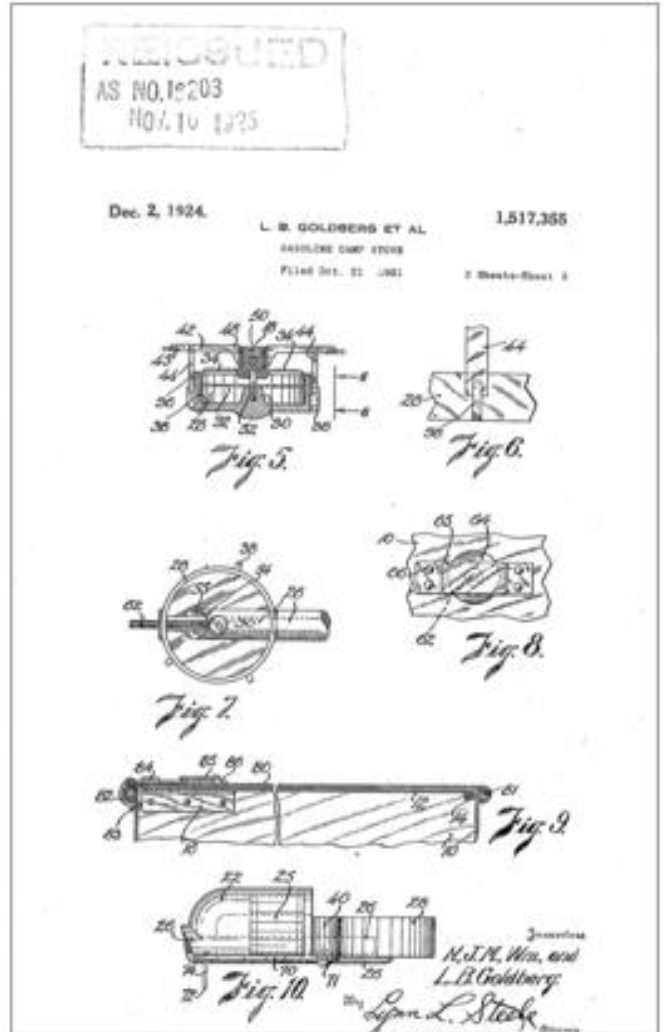
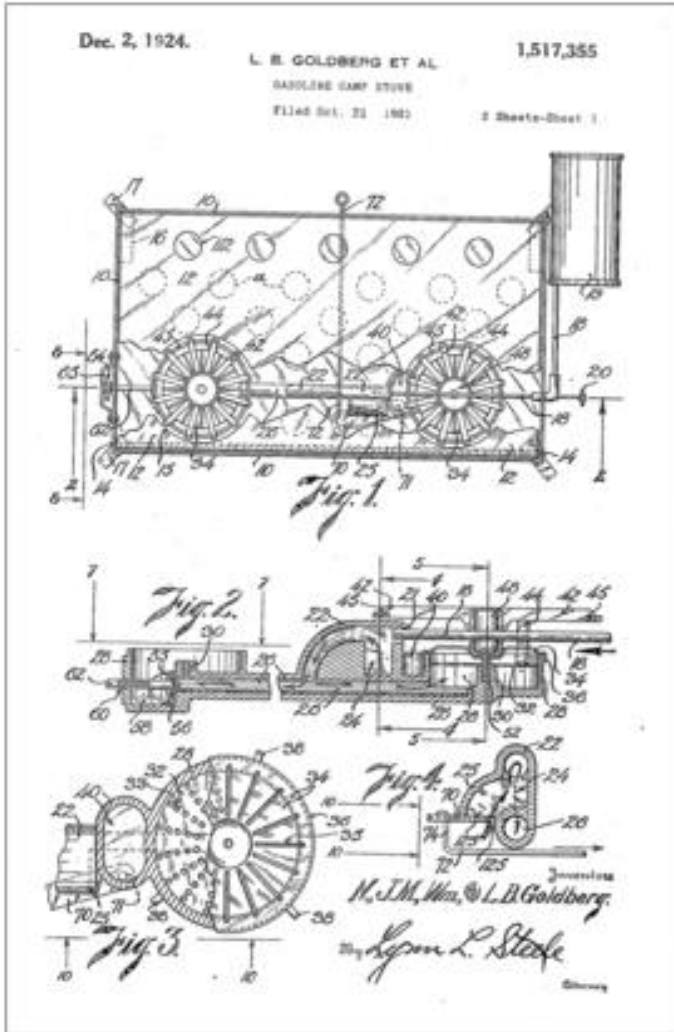
Year	Month	Source	Model
1922	May	Modesto Morning Herald	Sure Meal
1922	May	Modesto Bee	Sure Meal
1922	May	Modesto Morning Herald	WAPCO
1922	June	The Spokane Press	Goldberg
1922	June	Vancouver Daily World	Sure Meal
1922	June	The Burbank Review	Sure Meal
1922	June	Oakland Tribune	Sure Meal
1922	June	Lincoln Nebraska State Journal	Sure Meal
1922	June	The Clayton News	Red Seal
1922	July	Vancouver Daily World	Sure Meal
1922	July	The Seattle Star	Sure Meal
1923	April	Lincoln Nebraska State Journal	Sure Meal
1923	April	Field & Stream	Sure Meal
1923	April	Seattle Union Record	Sure Meal
1923	May	Field & Stream	Sure Meal
1923	May	The Spokesman-Review	Sure Meal
1923	May	The Seattle Star	Sure Meal
1923	May	The Fresno Morning Republican	Sure Meal
1923	June	Field & Stream	Sure Meal
1923	June	The Fresno Bee	Sure Meal
1923	July	Lincoln Nebraska State Journal	Sure Meal
1923	July	Albany Daily Democrat	Sure Meal
1923	July	Field & Stream	Sure Meal
1923	July	Seattle Union Record	Sure Meal
1923	July	The Sacramento Bee	Sure Meal
1924	May	Tulsa World	Sure Meal
1924		Denver Tent & Awming	Diamond D Sure Meal
1924	June	The Billings Gazette	Red Seal
1924	June	Outdoor Life	Sure Fire
1924	June	Albany Democrat Herald	Sure Fire
1924	July	Outdoor Life	Sure Fire
1924	August	The Olympian	Sure Meal
1925	May	Casper Star-Tribune	Simplex
1925	March	Outdoor Life	Sure Fire
1925	April	Reno-Gazette Journal	Sure Meal
1925	April	Outdoor Life	Sure Fire
1925	May	Outdoor Life	Sure Fire
1925	May	Nevada State Journal	Sure Meal
1925	May	Oakland Tribune	Sure Fire
1925	May	The Capital Journal	Sure Fire
1925	June	The Anaconda Standard	Sure Fire
1925	June	Alagogordo Daily News (NM)	Red Seal
1925	July	Outdoor Life	Sure Fire
1926	May	Journal and Courier	Sure Fire
1926	May	Great Falls Tribune	Red Seal
1926	June	The Salt Lake City Tribune	Sure Fire
1926	December	Daily News (LA)	Sure Fire
1927	May	Laurel Outlook (MT)	Red Seal
1927	June	The Billings Gazette	Diamond
1927	June	The Salt Lake City Tribune	Sure Fire
1927	July	Idaho Statesman	Sure Fire
1928	June	The Anaconda Standard	Sure Fire
1928	June	The Ogden Stanard-Examiner	Sure Fire
1928	June	San Francisco Bulletin	Spiro Sure Meal
1928	June	San Francisco Bulletin	Spiro Sure Meal
1928	June	Spokane Chronicle	Sure Fire
1928	August	The Seattle Star	Sure Fire
1929	June	The Los Angeles Times	Sure Fire
1929	July	The Midland Review (MT)	Diamond
1931	May	The Great Falls Leader	Goldberg



**GASOLINE STOVE
PATENT DRAWINGS**

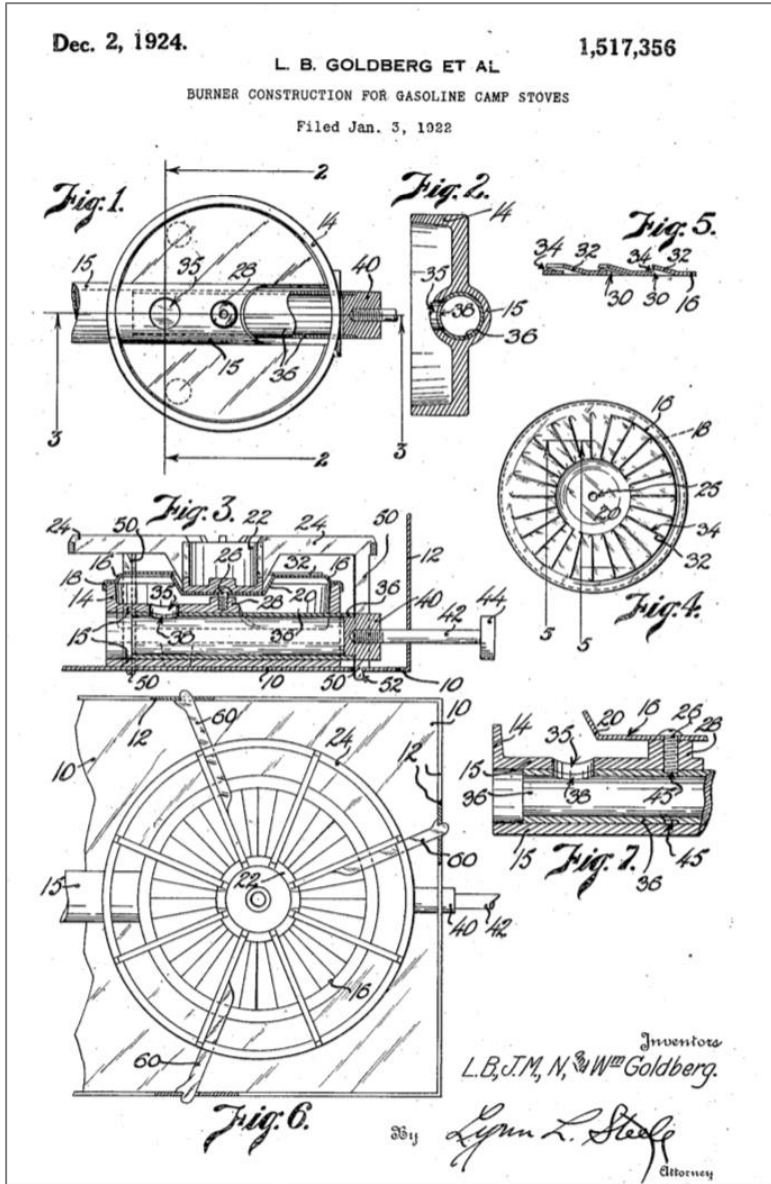
Goldberg Sure Meal Variation #1 Patent:

Gasoline Camp Stove Patent 1,517,355 filed October 1921 and granted December of 1924



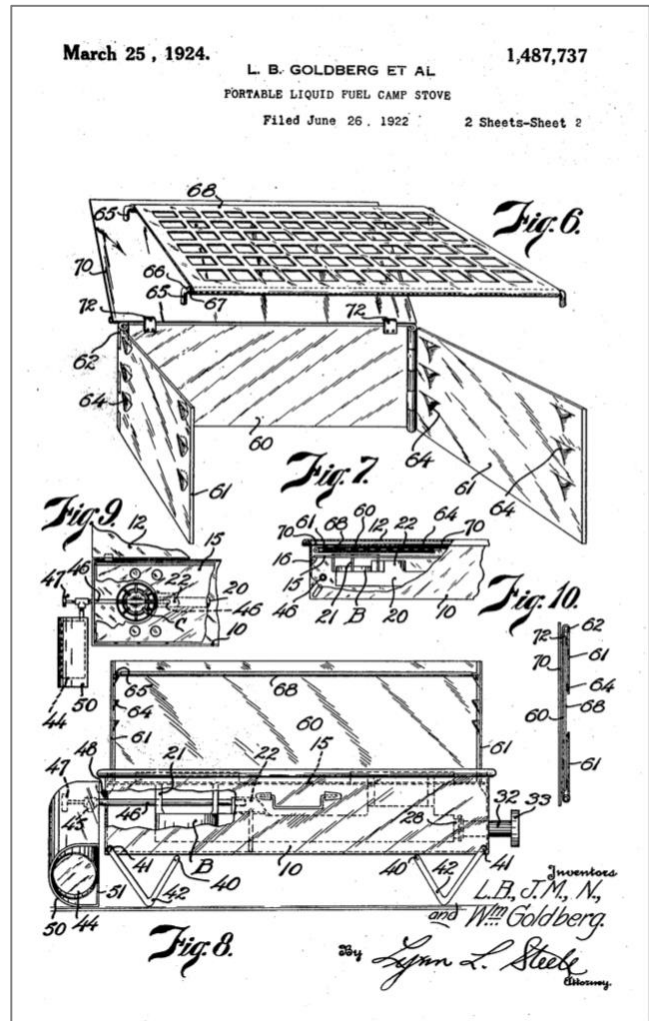
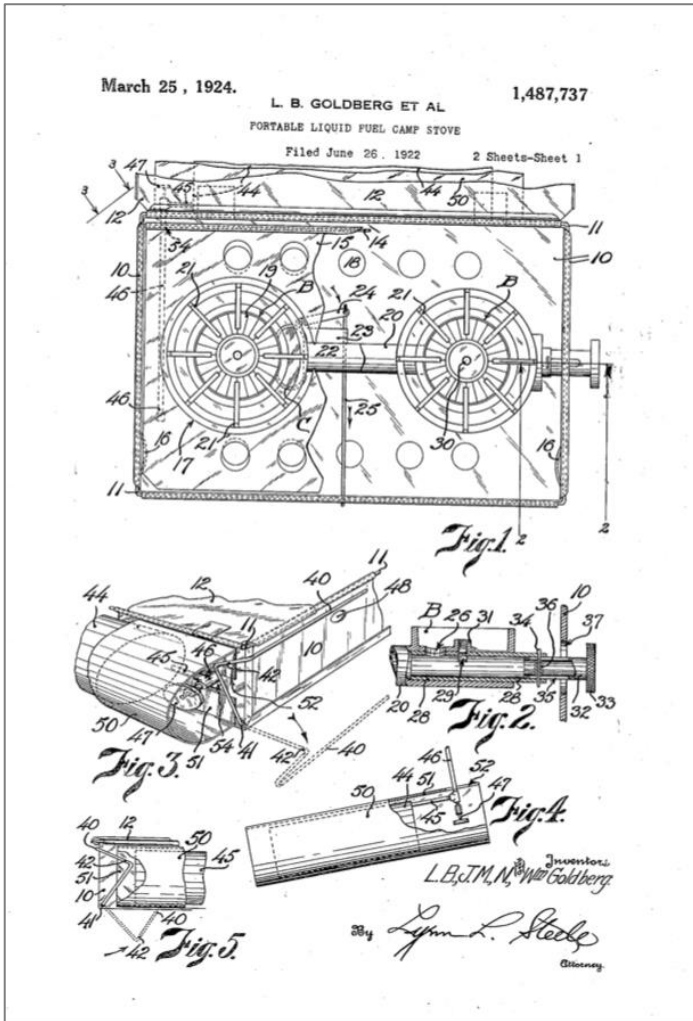
Goldberg Sure Meal Burner Construction Patent:

Burner Construction for Gasoline Camp Stoves Patent 1,517,356
filed January of 1922 and granted December of 1924



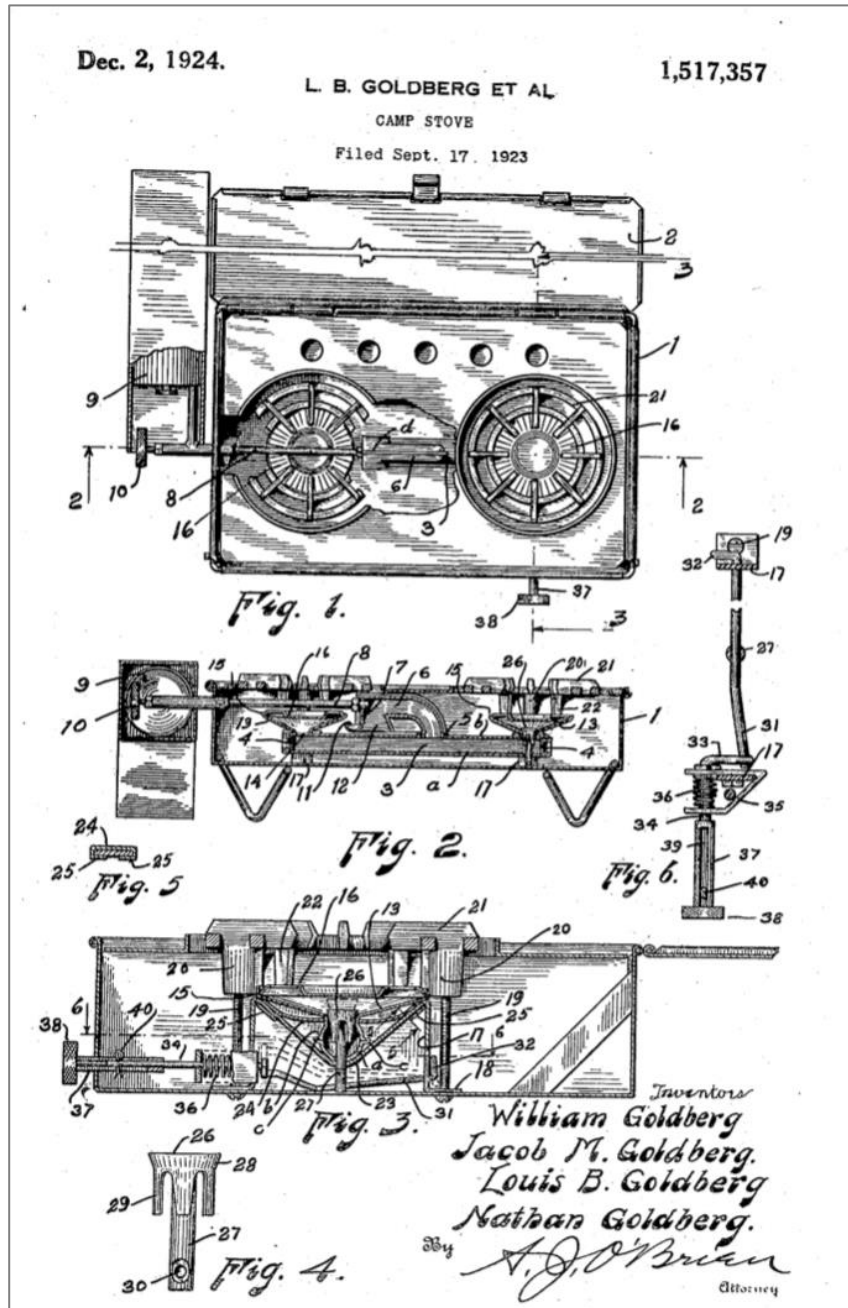
Goldberg Sure Meal Variation #2 Patent:

Gasoline Camp Stove Patent 1,487,737 filed June 1922 and granted March of 1924



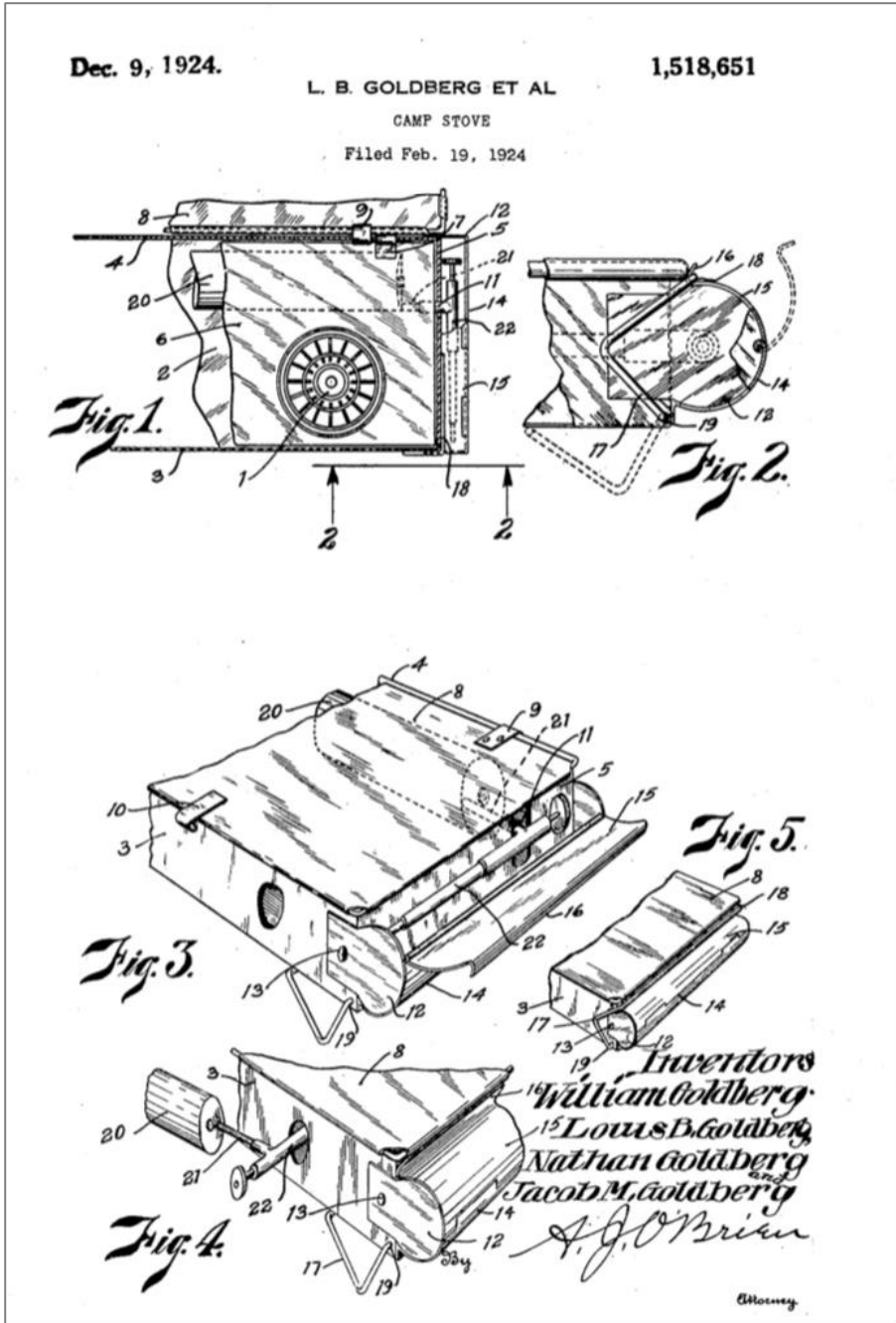
Camp Stove Sure Meal Variation #2 Patent:

Camp Stove Patent 1,517,357 filed September of 1923 and granted December of 1924. Very similar to Sure Meal Variation #3.



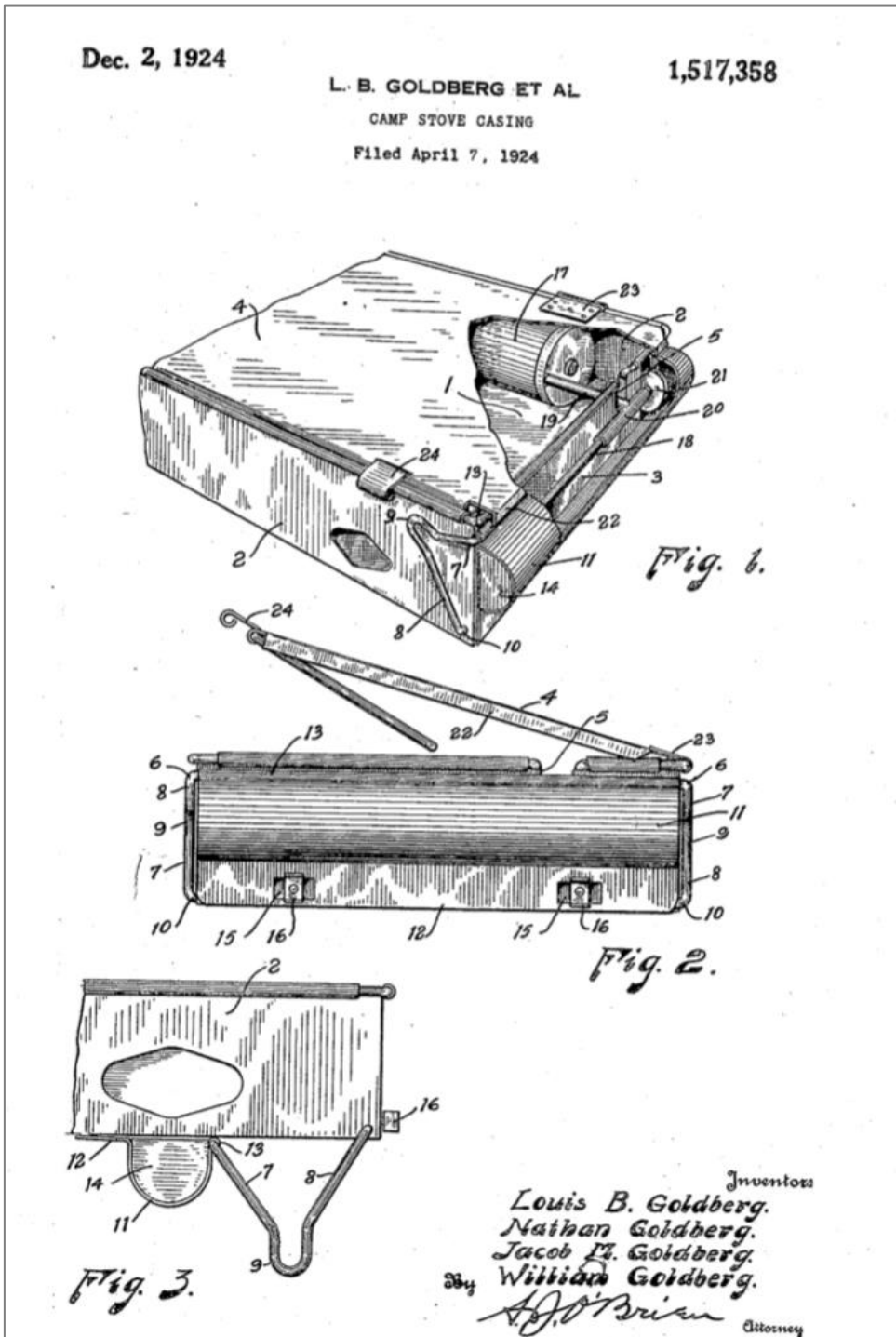
Goldberg Camp Stove Patent:

Camp Stove Patent 1,518,651 filed February of 1924 and granted December of 1924



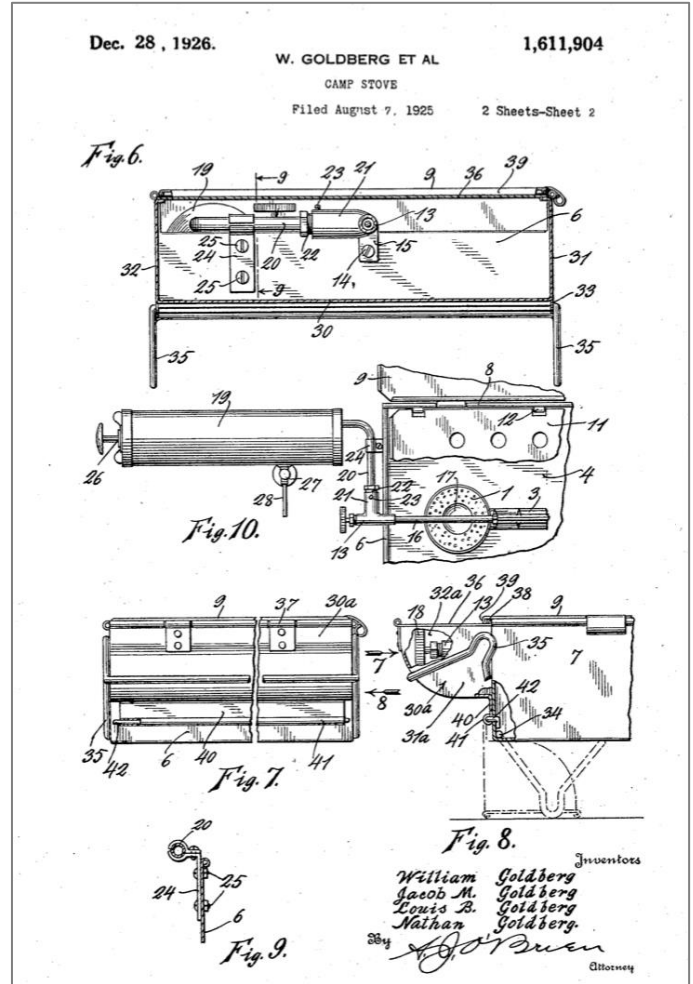
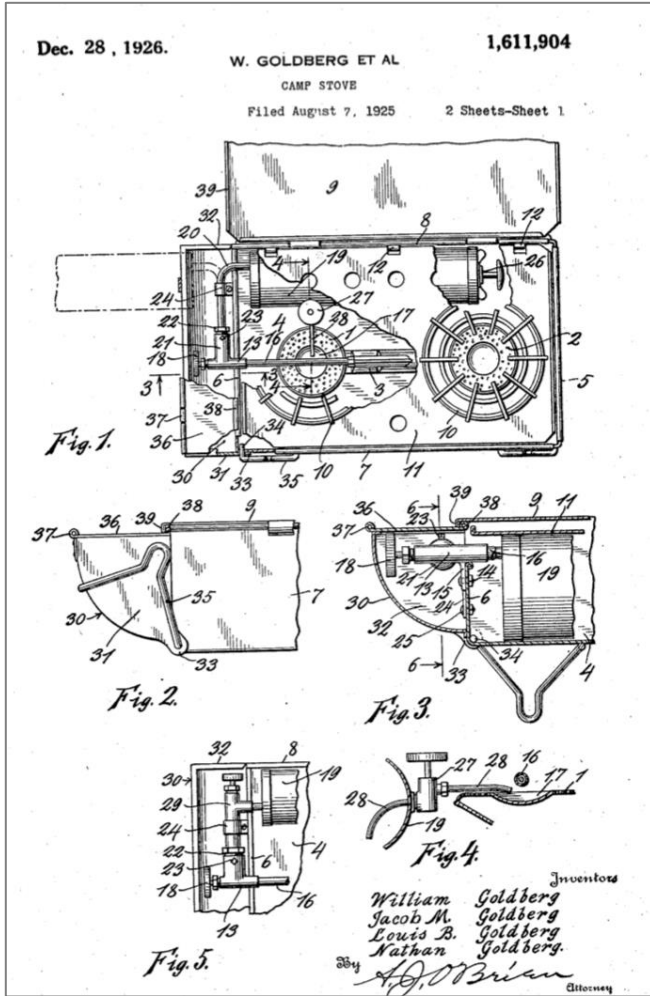
Goldberg Camp Stove Casing Patent:

Camp Stove Casing Patent 1,517,358 filed April of 1924 and granted December of 1924



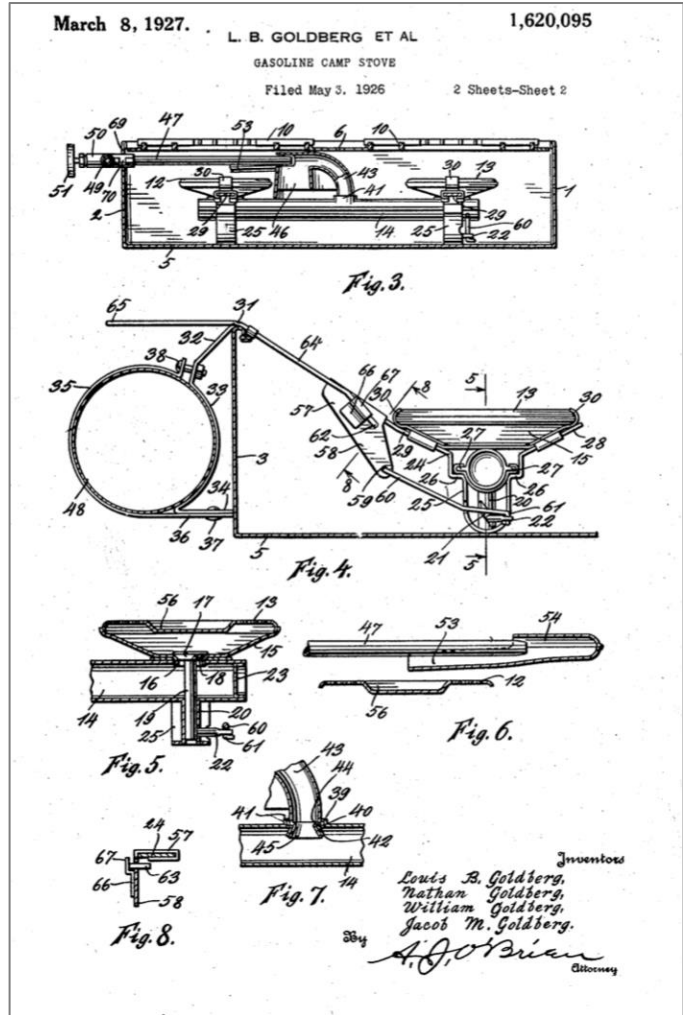
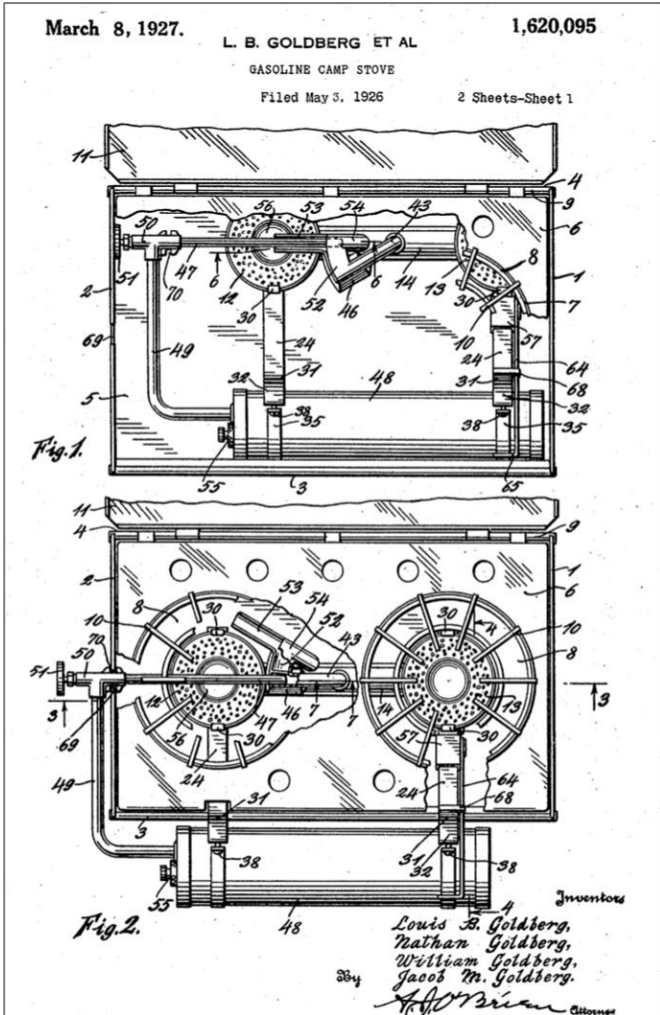
Goldberg Camp Stove Patent:

Camp Stove Patent 1,611,904 filed August of 1925 and granted December of 1926



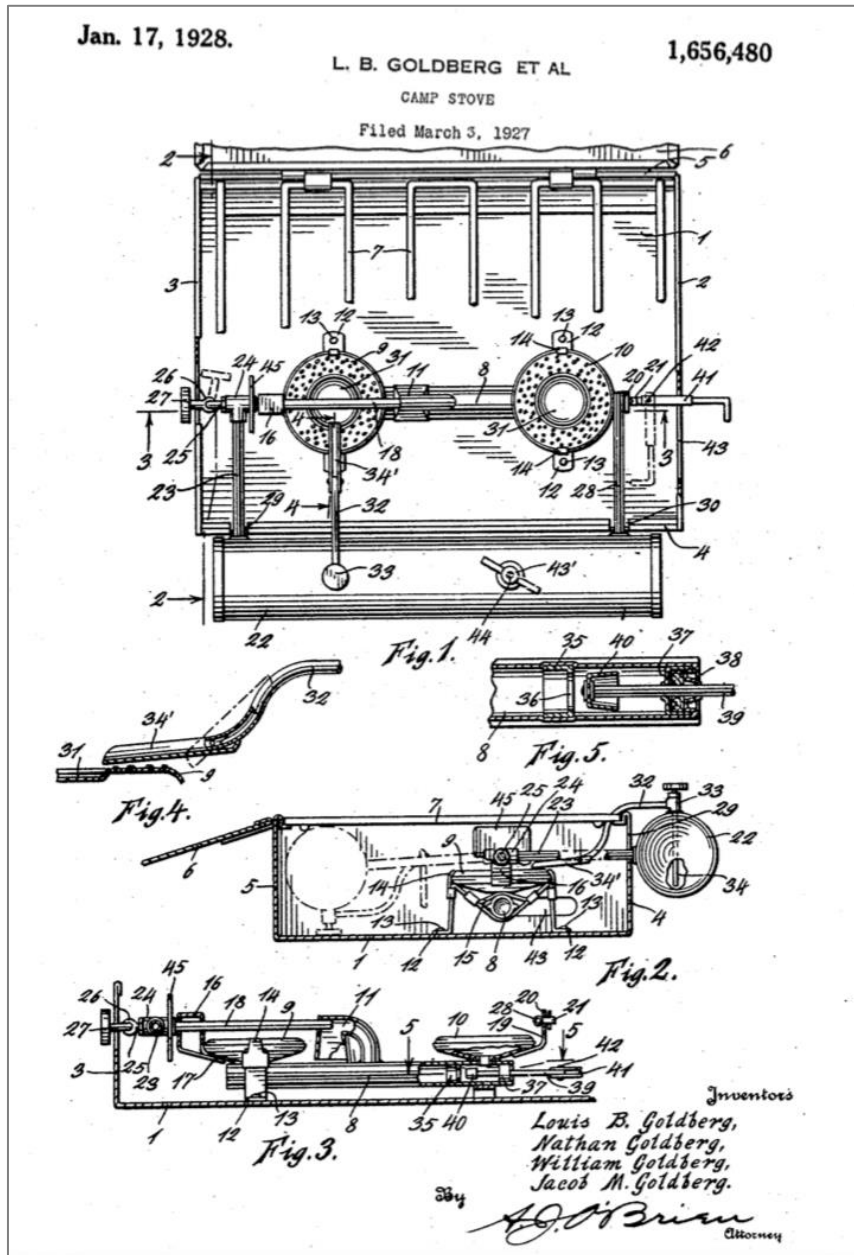
Goldberg Gasoline Camp Stove Patent:

Gasoline Camp Stove Patent 1,620,095 filed May of 1926 and granted March of 1927



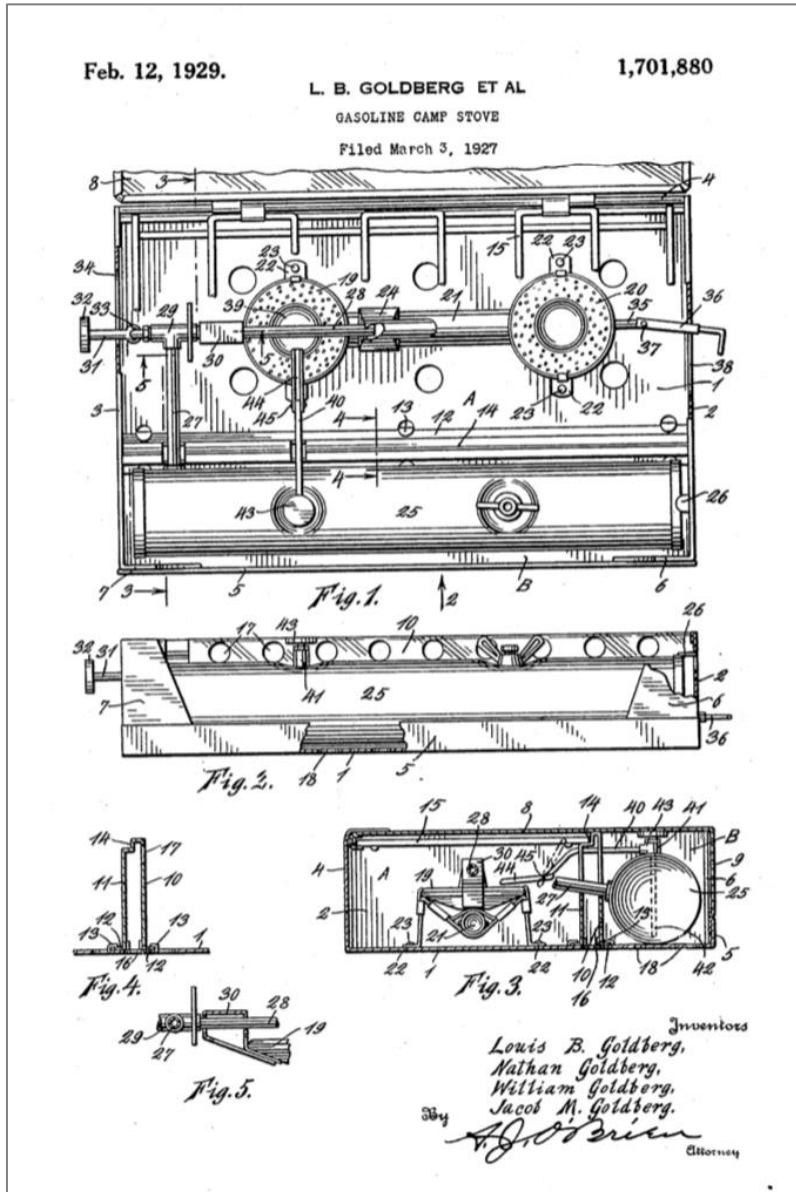
Goldberg Camp Stove Patent:

Camp Stove Patent 1,656,480 filed March of 1927 and granted January of 1928



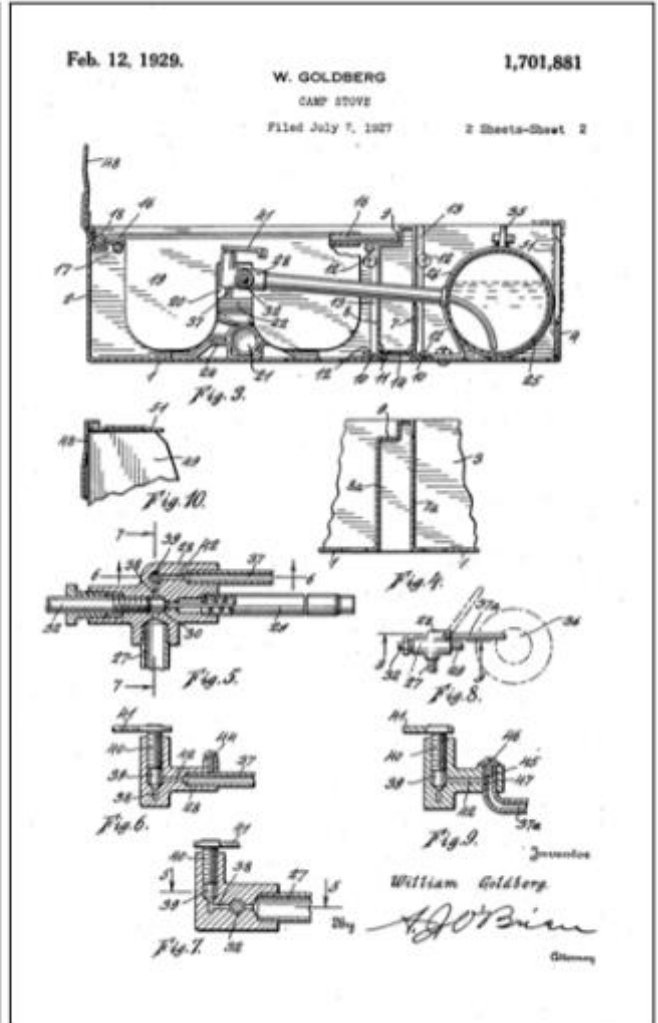
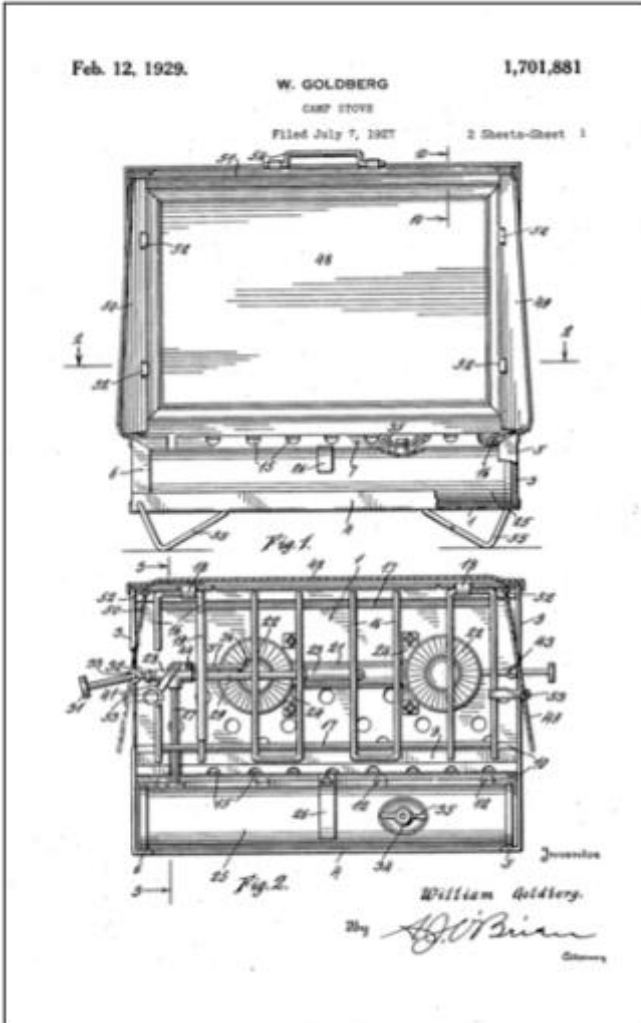
Goldberg Gasoline Camp Stove Patent:

Gasoline Camp Stove Patent 1,701,880 filed March of 1927 and granted February of 1929 (*Could Possibly Be The Patent for the NO-29 with Tank Permanently Attached Inside the Stove Case*)



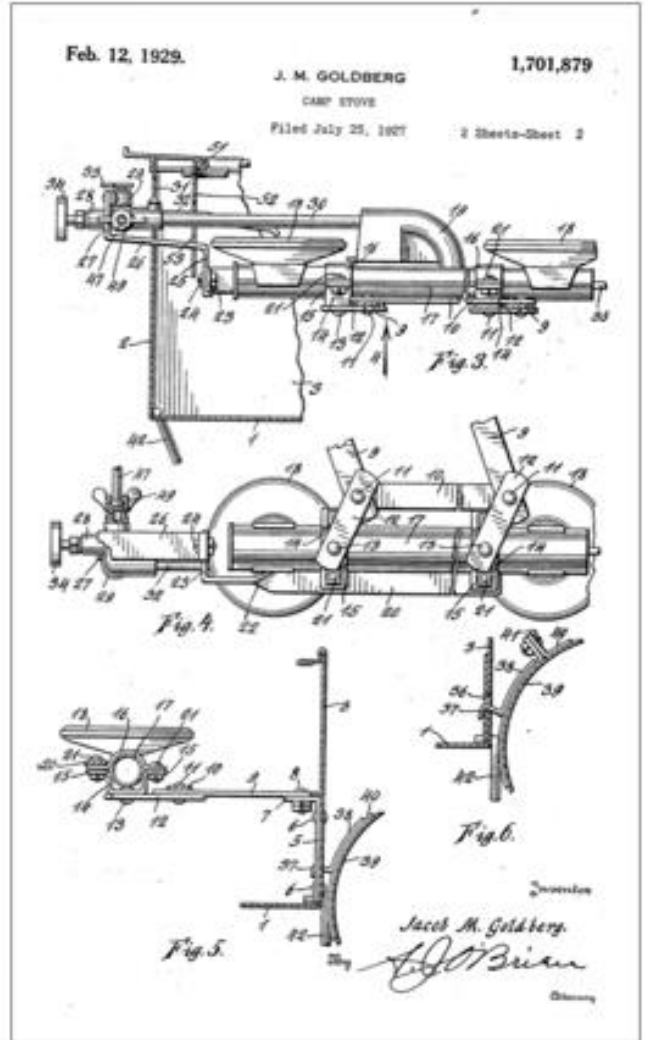
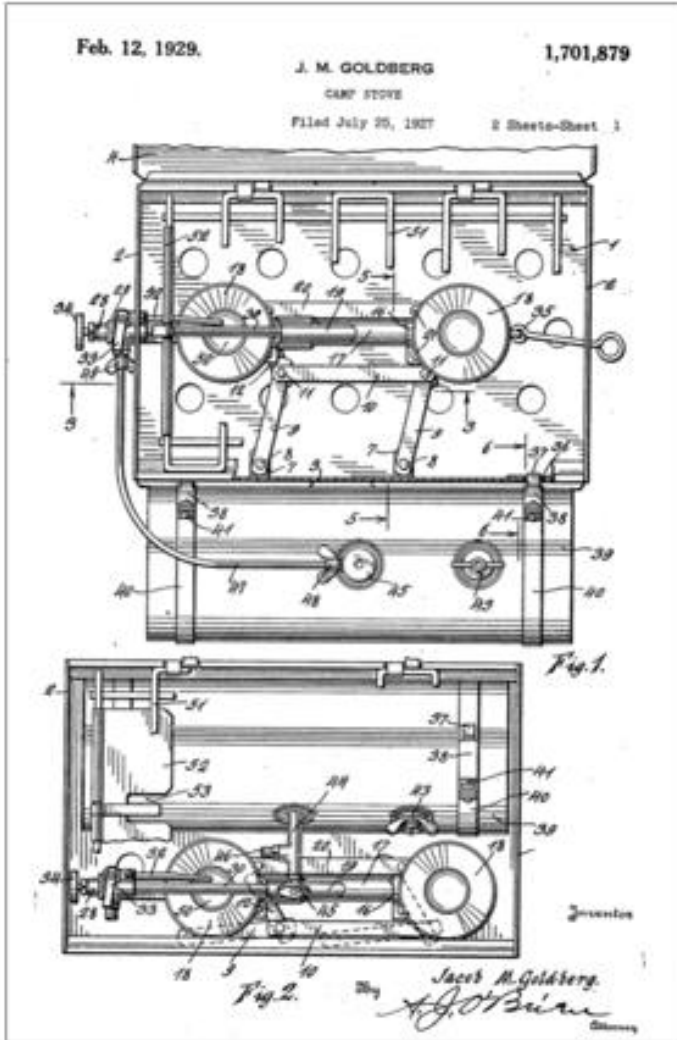
Goldberg Gasoline Camp Stove Patent:

Gasoline Camp Stove Patent 1,701,881 filed June of 1927 and granted February of 1929 (*Could Possibly Be The Patent for the NO-29 with Tank Permanently Attached Inside the Stove Case*)



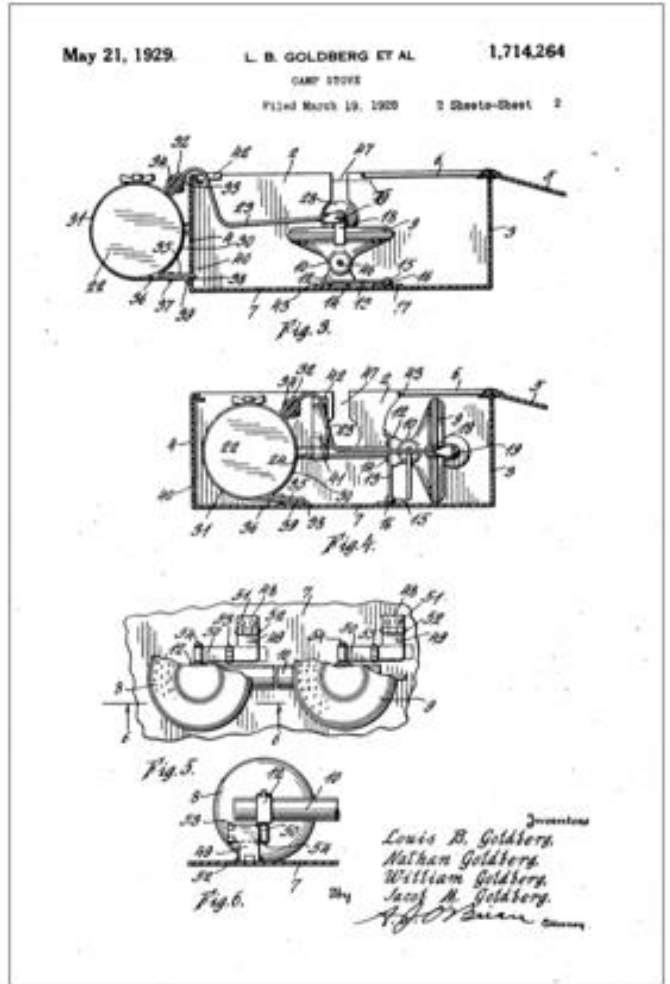
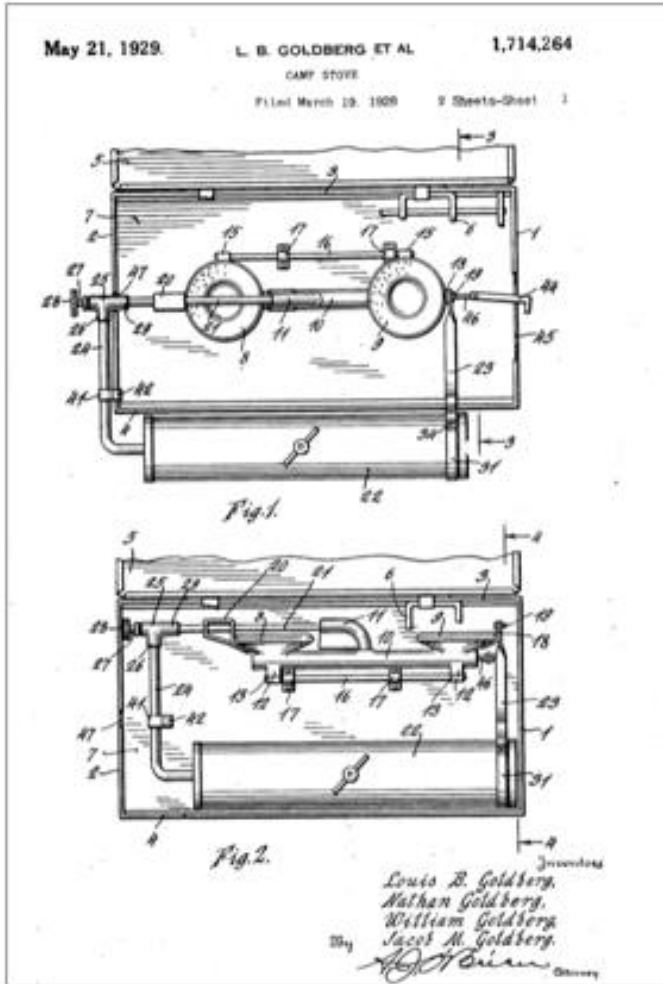
Goldberg Camp Stove Patent:

Camp Stove Patent 1,701,879 filed July of 1927 and granted February of 1929



Goldberg Camp Stove Patent:

Camp Stove Patent 1,714,264 filed March of 1928 and granted May of 1929. *(I Have Never Seen a Physical Example of This Stove)*



For more Goldberg information; Reese Williams wrote an informative article in the ICCA The Coleman Light. (Jan., Feb., Mar., Apr., 2023 No. 1)

